

COMPRAG®

EN

RECOM RCW-Series

RCW-3 - RCW-11

OPERATING MANUAL

Version 2.3

DE

Kolbenkompressoren RECOM RCW-Serie

BEDIENUNGSANLEITUNG

Version 2.3

Seite. 25

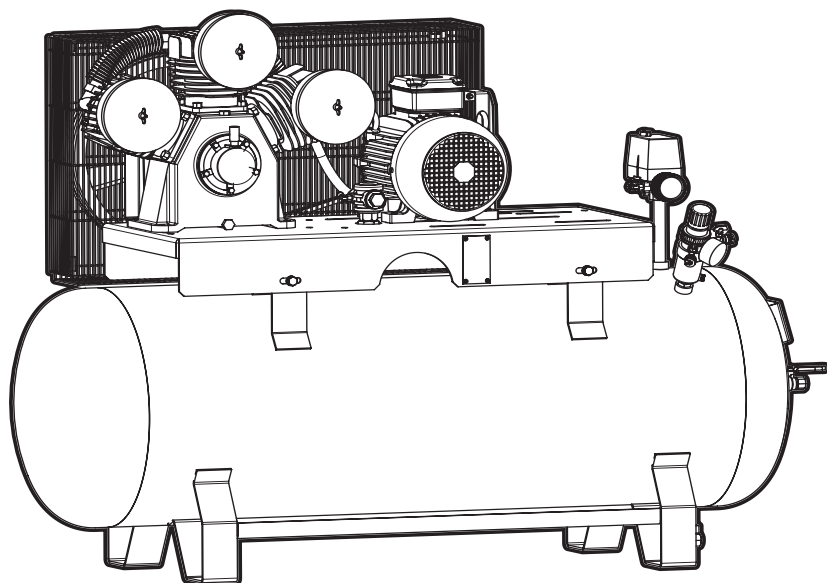
RU

Установка компрессорная
поршневая RECOM RCW

Руководство по эксплуатации
и техническому обслуживанию

Версия 2.3

стр. 44



© 2015 Comrag ®. All rights reserved.

No part of the text and /or diagram may be reprinted or used without the prior written permission of Comrag.

The manufacturer reserves the right to make changes to a product design in order to enhance its technological and operational parameters without notifying the user.




The product type may considerably differ to that displayed in documents.

Table of content


1	Safety guidelines	4
1.1	Symbols used in the instructions	4
1.2	General safety guidelines	4
1.3	Safety precautions for start-up	5
1.4	Safety precautions during operation	6
1.5	Safety precautions for maintenance and repair	7
2	Technical data and functional description	9
2.1	Technical data	9
2.2	General description	9
2.3	Function diagram and main components	10
2.4	Pneumatic diagram	10
2.5	Electrical diagram and main components	11
2.6	Functional description	12
3	Start-up	13
3.1	Lifting and carrying	13
3.2	Dimensions	13
3.3	Requirements on installation facility	14
3.4	Connection to the compressed airline	14
3.5	Connecting to power supply	15
3.6	Checking compressor's oil level	15
3.7	Checking drive belt	15
3.8	Symbols and indications	16
4	Operation	17
4.1	Starting the Compressor	17
4.2	Switching off the compressor	18
5	Maintenance	18
5.1	Changing compressor oil	18
5.2	Changing air intake filters	19
5.3	Changing drive belt	20
5.4	Servicing bearings of electric motor	20
6	Fault handling	21
6.1	Faults and corrective actions	21
7	Storage and disposal	21
7.1	Storage conditions	21
7.2	Disposal of oils and process condensate	21


1. Safety guidelines

1.1 Symbols used in the instructions

	Lethal hazard
	Warning
	Attention

1.2 General safety guidelines

	Carefully familiarise yourself with the technical documentation, operating instructions and safety guidelines. Most accidents associated with the use of compressor equipment occur as a result of non-compliance with safety guidelines. Prevent hazards from developing and adhere to the safety guidelines. The main rules are given in the following section.
---	---

	The user is solely liable for injuries or damages which occur due to non-compliance with safety guidelines during installation, operation or servicing, as well as unauthorised use of equipment!
---	---

1. The operator must stringently adhere to safety guidelines provided for by these instructions and local legislation!
2. When choosing between these safety guidelines and the regulations provided for by local legislation, those rules which provide for more stringent requirements shall apply.
3. Only trained maintenance personnel with the relevant level of professional training are permitted to operate, service and repair Comprag equipment.
4. Compressed air flowing immediately from the compressor may contain oil and impurities and is not suitable for breathing! Compressed air has to be purified to an air purity grade suit-

able for breathing, in accordance with the standards prescribed by local legislation.

5. Compressed air is an extremely hazardous energy source. Compressed air must not be used for unintended purposes! Do not use it to clean clothing and footwear and never point compressed air hoses at people and animals! When using air to clean equipment, take extra caution and wear safety goggles!

6. All maintenance, repair, setup and installation work etc. must be performed while the equipment is turned off, disconnected from the power source, with compressed-air hoses disconnected from the equipment, and with the use of safety goggles! Ensure that equipment is disconnected from the compressed air system and is not under pressure.

1.3 Safety precautions for start-up



The user is solely liable for injuries or damages which occur due to non-compliance with safety guidelines during installation, operation or servicing, as well as unauthorised use of equipment!

1. Equipment must only be unloaded/loaded using the appropriate handling devices or hoisters. Equipment must not be manually lifted or moved. Do not leave equipment suspended. Use a helmet during unloading operations.
2. Arrange the equipment in a dry and clean facility which provides shelter from precipitation. The facility must be well ventilated, and forced ventilation should be provided if necessary.
3. Worn, damaged or spoiled compressed-air hoses should not be used. Ensure that hoses correspond to the equipment in terms of nominal diameter and working pressure.
4. When using several compressor stations in a system, each compressor must have a manually operated valve for cutting off any of the compressors in the case of emergency.
5. Explosive and fire-hazardous admixtures such as solvent vapours and carbon dust etc. must not be released into the atmosphere.
6. Ensure unrestricted access to the compressed-air hose from the compressor. Do not clutter it and do not store flammable materials in its immediate vicinity.
7. Do not pinch or deform the compressed-air feed hoses.
8. Do not cover holes used to provide equipment with air for cooling. Ensure the facility is well ventilated.
9. When using remote control, the equipment must give a legible and clear warning of this: 'ATTENTION: this machine is being controlled remotely and may start operating without warning!' An operator who is remotely controlling equipment must ensure that no installation or other work is being performed with the equipment at that moment. Once the equipment is turned off remotely, the operator must ensure that the equipment is actually turned off!
10. Equipment must be earthed. Provide short-circuit protection. The starting knife switch must be in the immediate vicinity of the equipment and protect against unauthorised start-up.



The user bears full responsibility for compliance with the operating conditions of the electrical motor installed in the equipment.

Equipment must be used with protection devices.

The protection devices must protect the electric motor from short circuits, overloading (systematic and start-up) and open-phase conditions.

Installation of protection devices is the responsibility of the user.

11. There must be an information plate affixed next to the control panel on equipment with an independent control system featuring an automatic restart function: 'ATTENTION: This machine may start operating without warning!'

12. Any tanks and vessels working under pressure must be fitted with safety-relief valves! Unauthorised installation, disassembly or adjustment of attached safety-relief valves is not allowed.

1.4 Safety precautions during operation



The user is solely liable for injuries or damages which occur due to non-compliance with safety guidelines during installation, operation or servicing, as well as unauthorised use of equipment!

1. Ensure that hoses correspond to the equipment in terms of nominal diameter and working pressure. Check the attachment of every hose coupling before start-up. An insecurely fastened hose may cause serious injury.

2. Never turn on equipment if you suspect the presence of highly flammable impurities in the air!

3. The operator remotely controlling equipment must ensure that no installation or other work is being performed with the equipment at that moment! An information plate must be affixed to the equipment in relation to this: 'ATTENTION: this machine is being controlled remotely and may start operating without warning!'

4. An operator is not allowed to operate equipment if the operator is fatigued, in a state of intoxication from alcohol, drugs or medicine that reduces the body's reaction time.

5. The equipment must not be operated if parts of the casing have been removed. Doors or panels may be opened for short durations for inspection and scheduled checks. It is advisable to wear hearing protection.



In some types of equipment, open doors or removal of panels during operation may lead to overheating.

6. Personnel in conditions or a facility where the sound pressure level reaches or exceeds 90 dB (A), must wear ear protectors.
7. If the air used for cooling equipment is used while the facility is being heated, undertake measures for it to be filtered so that it is suitable for breathing.
8. Regularly check that:
 - safety devices and attachments are in place;
 - all hoses and pipes are in good condition and sealed;
 - there are no leaks;
 - brackets and structural components are tightened;
 - all electrical cables and contacts are in good condition and safe to use;
 - safety devices are fully functional and there is no contamination etc;
 - all structural components are in working order, with no signs of wear and tear.

1.5 Safety precautions for maintenance and repair



The user is solely liable for injuries or damages which occur due to non-compliance with safety guidelines during installation, operation or servicing, as well as unauthorised use of equipment!

1. Only original spare parts and ancillary items may be used. Using spare parts from other manufactures may lead to unpredictable results and consequently accidents.
2. When performing installation and repair work, always wear goggles!
3. Before connecting or disconnecting equipment, disconnect it from the main pneumatic system. Ensure that the hoses aren't under pressure!
4. Before beginning installation or other work, ensure that equipment is not pressurised. Installation work must not be carried out on equipment under pressure.
5. All maintenance work should be carried out only when the temperature of all structural elements falls to room temperature.
6. Never use highly flammable solvents or carbon tetrachloride for cleaning structural elements. When wiping, take precautions against the poisonous vapours of cleaning fluids.
7. When carrying out installation and repair work, an information plate should be affixed to the control panel to warn against unauthorised start-up. For example, "Do not turn on. Personnel operating!"
8. The operator remotely controlling equipment must ensure that no installation or other work is being performed with the equipment at that moment! An information plate must be affixed to the equipment in relation to this: See 1.3.9.
9. Maintain cleanliness in the facility where the equipment is installed. Close open inlets and outlets during installation with dry clothes or paper to prevent rubbish entering the equipment.
10. Welding or other similar operations must not be carried out in the immediate vicinity of the equipment and vessels under pressure.
11. If there is any suspicion of overheating, combustion or other emergency, turn off the

equipment. Immediately disconnect it from the power supply. Do not open the doors of equipment until the temperature falls to room temperature, in order to prevent burns or injury.

12. Naked flames must not be used as a light source for inspecting and checking equipment.

13. Never use caustic solvents, which may damage materials of the pneumatic system.

14. After performing installation or other work, ensure that no instruments, rags or spare parts have been left inside the equipment.

15. Pay particular attention to the safety-relief valves. Thoroughly inspect them and remove any dust and dirt. They must not be allowed to suffer any loss in function under any circumstances. Remember that your safety depends on their functionality!

16. Before beginning work in normal mode after maintenance or repair work, check that the working pressure, temperature and other characteristics are correctly set. Ensure that all control devices are installed and functioning properly. 17. When replacing filters, separators etc., wipe away dust, dirt and oil residue from the area where they are installed with a dry cloth.

18. Protect the motor, air filter, electrical components and control components etc. from coming into contact with condensate. For instance, blow down with dry air.

19. Safety precautions for operation with refrigerants:

- Never inhale refrigerant vapours. Ensure that the work zone is properly ventilated; use a respirator if necessary.
- Always wear special-purpose gloves. If the refrigerant comes into contact with skin, rinse the area of contact with plenty of water. If refrigerant comes into contact with skin through clothing, do not try to remove clothing. Thoroughly rinse clothing with fresh water until the refrigerant is washed off. Then seek medical assistance.

20. Use protective gloves during installation and repair work in order to avoid burns and injury (for instance, during oil change).

2. Technical data and functional description



Entitlement to free handling of faults arising during the guarantee period is forfeited when:

- No warranty service coupon for the compressor or it is filled out incorrectly
- No records for the compressor's scheduled maintenance are entered in the compressor's service book
- Unoriginal parts and lubricants are used

2.1 Technical data

Tab. 1 Technical data

Article	Model	Drive power (kW)	Max. working pressure (bar)	Capacity* (m ³ /min)	Sound pressure Level** (dB)	Rated Voltage (Phase/V/Hz)	Air receiver capacity (liter)	Screw connection
11200301	RCW-3-100	3,0	10	0,52	74	3/380/50	100	1/2"
11200302	RCW-3-270	3,0	10	0,52	74	3/380/50	250	1/2"
11200401	RCW-4-100	4,0	10	0,70	74	3/380/50	100	1/2"
11200402	RCW-4-270	4,0	10	0,70	74	3/380/50	270	1/2"
11200501	RCW-5,5-100	5,5	10	0,82	76	3/380/50	100	1/2"
11200502	RCW-5,5-270	5,5	10	0,82	76	3/380/50	270	1/2"
11200503	RCW-5,5-500	5,5	10	0,82	76	3/380/50	500	1/2"
11200702	RCW-7,5-270	7,5	10	1,20	78	3/380/50	270	1/2"
11200703	RCW-7,5-500	7,5	10	1,20	78	3/380/50	500	1/2"
11201102	RCW-11-270	11	10	1,70	79	3/380/50	270	1/2"
11201103	RCW-11-500	11	10	1,70	79	3/380/50	500	1/2"

* Measured according to ISO 1217

** Measured according to ISO 3744

2.2 General description

RECOM RCW series compressors comprise a one-to-two-stage cast iron unit with low speed and low operating temperature.

All RECOM RCW compressors are fitted with an industrial three-phase electric motor and an electromechanical pressure control relay.

2.3 Function diagram and main components

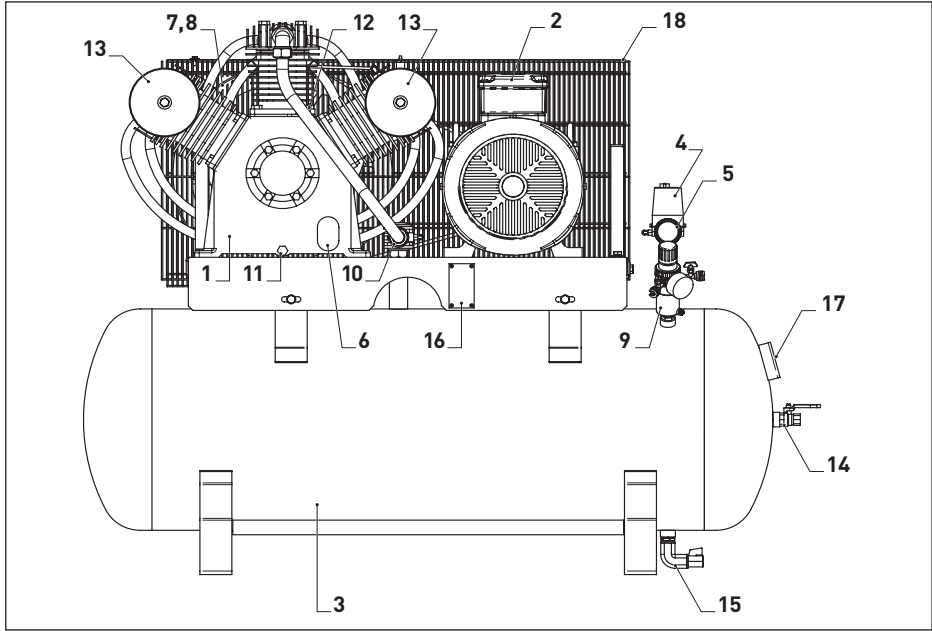


Fig. 1 Main components RCW.

1	Pump unit	10	Check valve
2	Electric motor	11	Oil drain plug
3	Air receiver	12	Oil filling plug
4	Pressure switch	13	Air filter
5	Pressure gauge	14	Air outlet ball valve
6	Oil sight glass	15	Condensate drain ball valve
7	Flywheel	16	Plate compressor
8	Belt	17	Plate receiver
9	Filter-regulator	18	Belt guard

2.4 Functional description

In one-stage models, air is fed into the cylinder along the discharge pipe, and then into the pressure vessel.

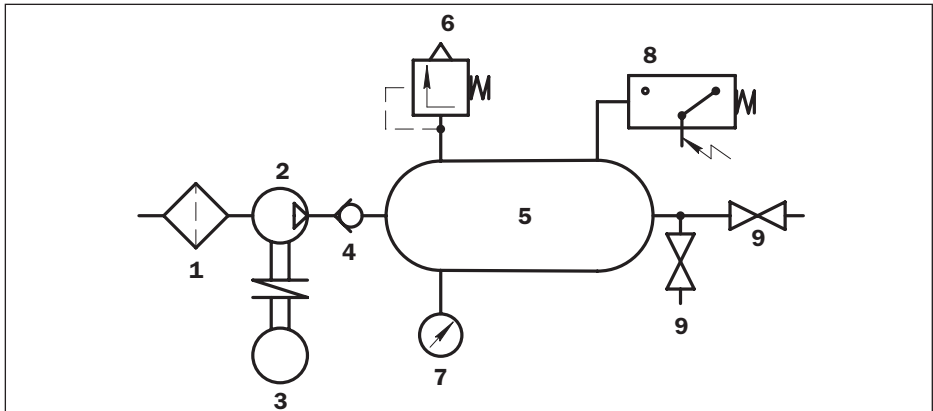
In two-stage models, air is fed into the low-pressure cylinder and then into the pre-compres-

sion cylinder.

Pre-compressed air is fed into the high-pressure cylinder, and then along the discharge pipe into the pressure vessel.

Once the working pressure is reached, the compressor stops and surplus air in the compressor pump and delivery pipe is discharged through the dump valve under the pressure switch. During air consumption, pressure falls in the pressure vessel and when the lower limit is reached, the electric motor turns on again. The performance is controlled automatically after the compressor is started up by means of the periodic starting and stopping of the compressor.

The regular running time is 20 minutes and the downtime is 5 minutes (in order to avoid overheating).



2.5 Pneumatic diagram

Fig. 2 Pneumatic diagram RCW

1	Air intake filter	6	Safety valve
2	Pump unit	7	Manometer
3	Electric motor	8	Pressure switch
4	Check valve	9	Air outlet ball valve
5	Air receiver	10	Filter-regulator

2.6 Electrical diagram and main components

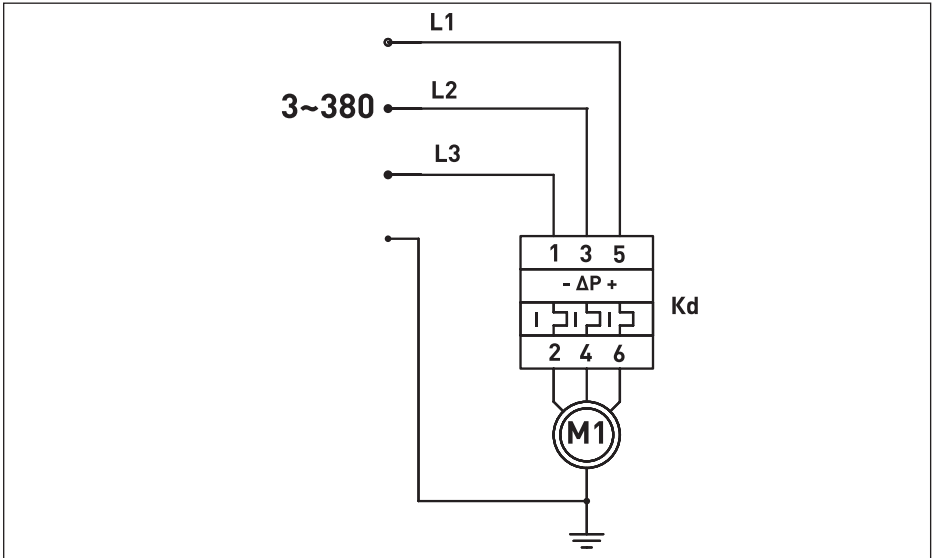


Fig. 3 Electrical diagram RCW

L1, L2, L3	Power lines
Kd	Pressure switch
M1	Electric motor

3. Start-up

3.1 Lifting and carrying



All lifting should be carried out using a forklift truck with a carrying capacity suited to the compressor.
Lifting may be carried out with loading cranes, winches and other machinery, using a crossbeam with the right length.
Local safety guidelines for lifting have to be implemented.

3.2 Dimensions

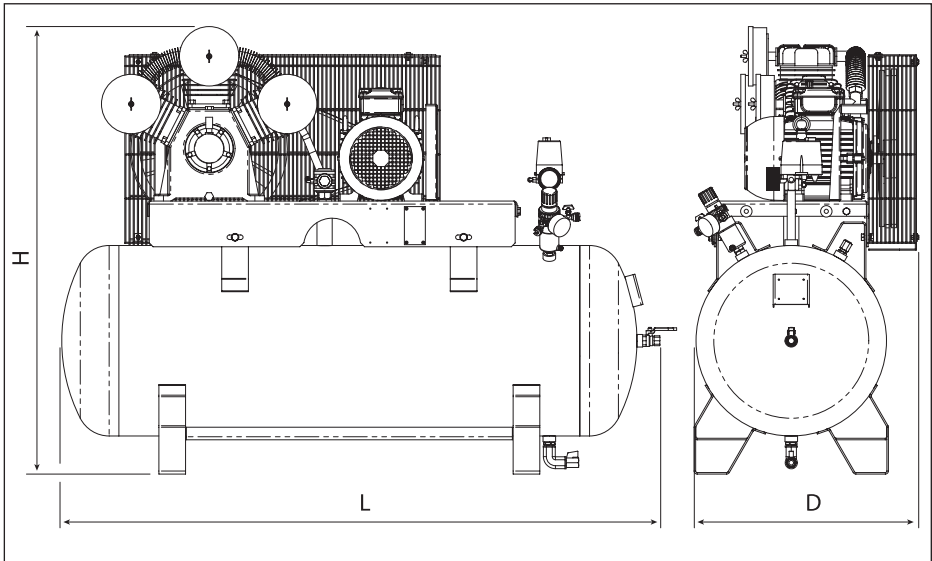


Fig. 4 Dimension drawing RCW

Model	Compressor dimensions			
	Length L, mm	Width D, mm	Height H, mm	Weight, kg
RCW-3-100	1250	490	949	139
RCW-3-270	1614	607	1179	222
RCW-4-100	1205	490	949	161
RCW-4-270	1614	607	1179	244
RCW-5,5-100	1205	490	949	187
RCW-5,5-270	1614	607	1179	278

RCW-5,5-500	1953	650	1243	312
RCW-7,5-270	1614	607	1179	282
RCW-7,5-500	1953	650	1243	324
RCW-11-270	1614	607	1179	373
RCW-11-500	1953	650	1243	405

Tab. 2 Compressor dimensions

3.3 Requirements on installation facility

Ensure that the floor of the facility can withstand the weight of the compressor. Install the compressor on a level surface that is able to bear its weight.

Adjust the horizontal axis of the compressor using a levelling instrument.

If the compressor is not anchored to the base on which it is installed, the tilt angle with respect to the horizontal surface must not exceed 3°.

If the compressor is anchored to the base on which it is installed, the tilt angle with respect to the horizontal surface must not exceed 7°.

Install the compressor in a facility where precipitation cannot reach.

Choose a facility for installing the compressor with a minimum level of dust.

Install the compressor at least 1.5 m from walls.

If multiple compressors are installed, there should be a 1.5 m minimum distance between each compressor.

There should be a 4 m safety distance from the area of the operated equipment connected to the compressor.

The facility in which the compressor is installed must be fitted with a combined extract-and-input ventilation system.



The facility where the compressor is installed should be provided with air inflow equivalent to twice the compressor's capacity.

The volume of extraction ventilation must not exceed 40% of the air inflow capacity of the input ventilation in a facility where the compressor is installed and fitted with an extract-and-input ventilation system.

The compressor should not be installed in a facility where the temperature may drop below +5°C.

3.4 Connection to the compressed airline

Provide the throughput capacity of the compressed-air line in accordance with the performance of the compressor.

In order to avoid damage associated with seal failure of the compressed-air line, the com-

pressor should be connected via a flexible hose.

All components of the compressed-air line must have a working pressure no less than the compressor's nominal pressure.

Use a pressure vessel with a capacity corresponding to the compressor's performance and the compressed air consumer.

3.5 Connecting to power supply

Connect the compressor to the electric mains: the plug of the compressor's power cable into 380 V socket.

Ensure that your electric power grid can withstand the starting current of the compressor.

An isolating switch must be fitted within reach of the compressor to facilitate connection and maintenance.



The compressor must be earthed and protected against short circuits in each phase, impermissible voltage fluctuation and phase failure.

3.6 Before use and on a weekly basis

Ensure the compressor's power cable is intact.

Ensure the oil level using the sight glass (point 3.7). Fill up with oil if necessary (point 5.1).

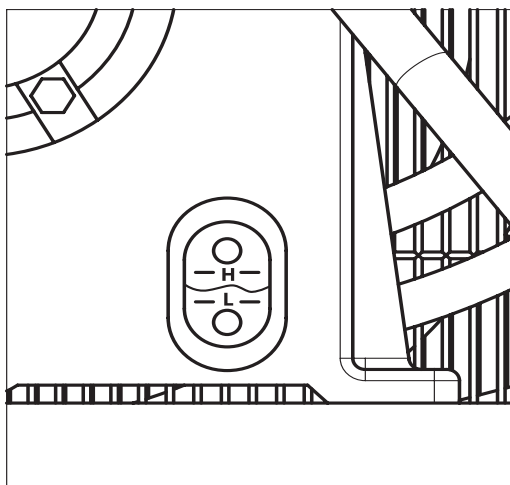


Fig. 5 Checking compressor's oil level


The oil level in the compressor should be viewed via the oil level glass when the compressor has stopped.

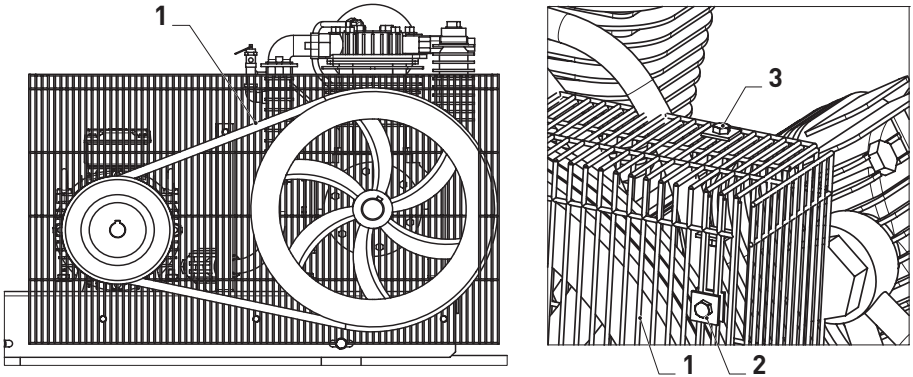
The oil level glass is arranged in the lower section of the compressor pump.

Oil level in the compressor pump should be always between H and L.

If oil level is low or oil cannot be seen in the level glass, then oil needs to be added.

3.7 Checking drive belt

	Check on a daily basis drive belts condition and the tension on drive belts.
---	---



Check on a daily basis drive belts condition and the tension on drive belts (1).

Fig. 6 Checking drive belt

Unscrew the 4 bolts (2) of the belt guard (1), removing the guard's clips (3) and the guard itself.

Inspect belts for wear of side edges and cracks. If belts are damaged, then they should be replaced.

Using belt tension gauge, check the tensile load of the compressor belts.


The tensile loads of belts are given in the table for various models. Set the belt guard into place, tighten the bolts and replace the clips which were removed.

Model	Tension force F, N
RCW-3-100	250
RCW-3-270	250
RCW-4-100	250


RCW-4-270	250
RCW-5,5-100	250
RCW-5,5-270	250
RCW-5,5-500	250
RCW-7,5-270	250
RCW-7,5-500	250
RCW-11-270	250
RCW-11-500	250

Tab. 7 Tensile loads of belt

4. Operation

	<p>Non-qualified personnel must not be allowed to operate the compressor.</p>
---	---

4.1 Starting the compressor

	<p>Before starting check oil level</p>
---	--

Switch on the voltage.

Turn the pressure switch 90 degrees clockwise from the OFF position to the AUTO position

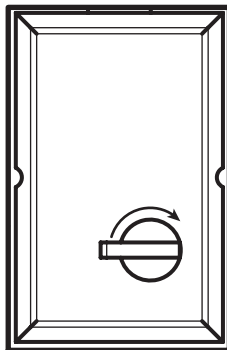


Fig. 7 Switch on the voltage

The compressor starts running in an automatic operation mode

4.2 Switching off the compressor

Turn the pressure switch 90 degrees counterclockwise from the AUTO position to the OFF position.

After usage

Disconnect the plug of the compressor's power cable from the 380 V socket and open the air outlet valve for pressure release in pressure vessel.

5. Maintenance

5.1 Changing compressor oil

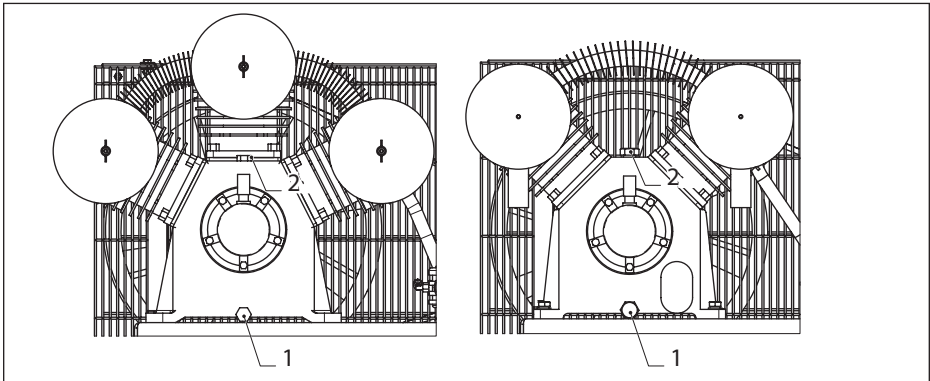


Fig. 8 Changing compressor oil

Bleed the pressure in the system by opening the air outlet ball valve.

Unscrew the drain plug (1) from the compressor pump and bleed the oil into a special container.

Screw drain plug (1) into its initial position.

Unscrew the fill plug (2) from the compressor pump and pour in 2 l of Comprag RecLub oil.

Screw the fill plug into its initial position.

Start the compressor and let it run idly for several minutes in order for the oil to circulate and air to be extracted from the oil system.

Wait several minutes until the oil settles and the inner pressure is bled.

Unscrew the fill plug and add oil, if necessary, until oil enters the red circle of the sight glass.

Place the fill plug into its initial position.

5.2 Changing air intake filters

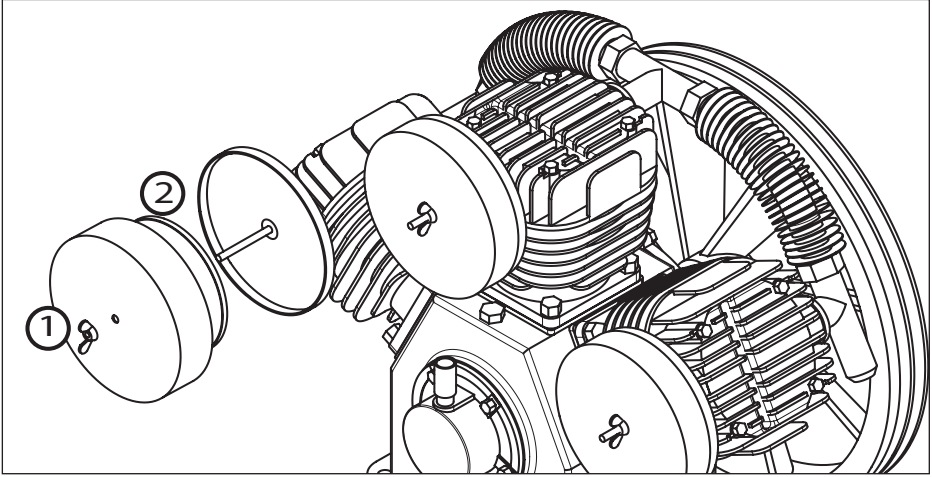


Fig. 9 Changing intake air filters

Unscrew the wing nut holding the filter lid (1) and remove the nut.
Remove the filter lid (1) and the dirty air filter (2).
Install the new air filter in place of the dirty one.
Set the filter lid into place and tighten the wing nut.

5.3 Changing drive belt

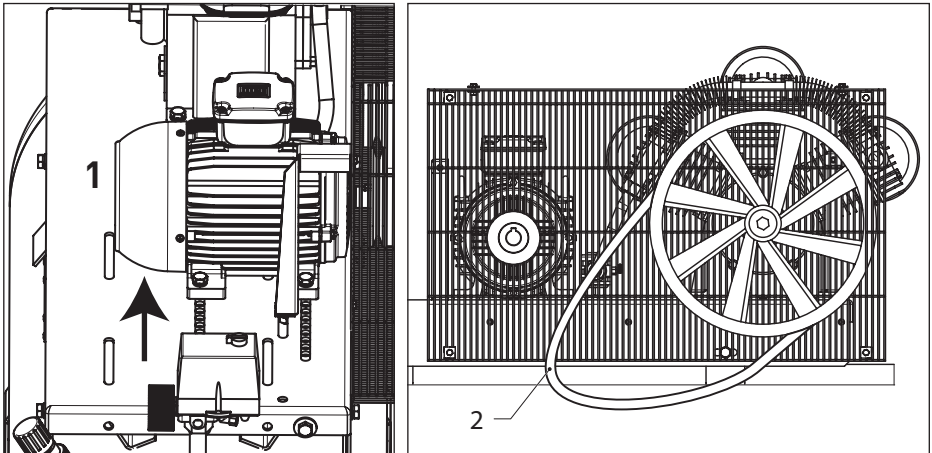


Fig. 10 and 11 Changing drive belt

Remove the belt guard.

Loosen the two bolts of the motor and the two corresponding nuts (1) on the left and right sides of the motor.

Move the electric motor towards the compressor pump until tension in the belt wanes.

Remove the old belt (2) from the flywheel of the compressor pump and pulley of the electric motor.

Install the new belt and tighten the belt with the appropriate tension force F (see table in § 3.7 Checking drive belt)

Set the belt guard into place.

Check the belt tension within four hours of the compressor's operation.

5.4 Servicing bearings of electric motor

When the compressor is used, fresh viscous lubricant (formulated for rolling bears) should be added to the motor's bearings. Lubricant should be added using a special syringe for viscous lubricants through lubricators accommodated in the motor's bearing caps. The volume of lubricant added can be calculated using the formula:

$$D^2 \text{ motor shaft (mm)} \times 0.005 = M \text{ (lubricant mass) (g)}.$$

Do not over-lubricate the bearings beyond the standard level as all excess lubricant will be squeezed out of the bearings into the motor when the motor is running.

6. Fault handling

6.1 Faults and corrective actions

Problem.	Possible faults.	Corrective action.
The compressor starts up with lag. There is a slow build up in the electric motor's speed.		Tighten the belt with the relevant load.
	The oil is thick.	Replace the oil.
There's a whistling during the compressor's operation.		Tighten the belt with the appropriate tensile force
The compressor won't start.	The ambient air temperature in the facility does not meet the required temperature (below +5 °C or above +40 °C).	Ensure the necessary ambient air temperature where the compressor is installed.

The compressor is overheating.	There's insufficient ventilation in the facility where the compressor is installed.	Increase the air circulation inside the facility.
	The oil level is too low.	Top up oil.
	Cylinder or piston scratched, worn, or scored.	Repair or replace as required.
Excessive starting and stopping	Compressor check valve leaky, broken, carbonized or loose.	Clean or replace as required. Inspect valves.
	Fittings not tight enough or leaking.	Tighten fittings where air cannot be heard escaping. Check joints. Do not overtighten.
Moisture in discharge air.	Condensation in air tank caused by high level of atmospheric humidity	Drain air tank more often in humid weather and use an air line filter.

7. Storage and disposal

7.1 Storage conditions

The compressor should be kept at a temperature between -20° and +35°C with max. 85% relative humidity.

7.2. Disposal of oils and process condensate.

Used oils, greasy filters and separators should be recycled in a sealed container and disposed of at a local recycling or disposal facility. Do not allow precipitation to mix with oil.

Process condensate contains oil. Local environmental regulations govern the degree of contamination of condensate discharge to sewer. Use Process Condensate Separators to separate oil and further impurities from the condensate.

Replaceable components of a Process Condensate Separator should be disposed of in the same way as greasy wiping cloths.

© 2015 Comrag ®. Alle Rechte vorbehalten.

Die Textteile, Abbildungen, Tabellen und Diagramme dürfen nicht ohne Genehmigung der Comrag GmbH kopiert oder veröffentlicht werden.

**Technische Daten, Spezifikationen und Details dieser Bedienungsanleitung können ohne vorherige Ankündigung geändert werden.
Comrag GmbH**

Inhalt

1. Sicherheitsrichtlinien	25
1.1 Symbolerklärung	25
1.2 Allgemeine Sicherheitsrichtlinien	25
1.3 Sicherheitshinweise für die Inbetriebnahme	26
1.4 Sicherheitshinweise für den Betrieb	27
1.5 Sicherheitshinweise für die Wartung und Reparatur	28
2. Technische Daten und Funktionsbeschreibung	30
2.1 Technische Daten	30
2.2 Allgemeine Beschreibung	31
2.3 Ablaufdiagramm und Hauptkomponenten	31
2.4 Funktionsbeschreibung	32
2.5 Elektro-Schaltplan	32
2.6 Electrical diagram and main components	33
3. Inbetriebnahme	34
3.1 Heben und transportieren	34
3.2 Abmessungen	34
3.3 Voraussetzungen für die Installation am Standort	35
3.4 Anbindung an die Druckluftleitung	35
3.5 Anbindung an das Stromnetz	35
3.6 Bezeichnungen und Symbolerklärung	36
4. Betrieb	38
4.1 Steuer- und Bedieneinheit	38
4.2 Fehleranzeige	39
4.3 Kompressor starten	
4.4 Kompressor ausschalten	
4.5 Ölstandskontrolle	
4.6 Kontrolle des Riementriebs	
5. Wartung	39
5.1 Wartungsplan	39
5.2 Ölstandskontrolle	40
5.3 Kontrolle des Riementriebs	41
5.4 Öl und Filter austauschen	41
5.5 Luftfilter austauschen	
5.6 Riemen austauschen	
5.7 Öl-Separator austauschen	



5.8 Wärmeaustauscher reinigen	
5.9 Ansaugventil überprüfen	
5.10 Service für die Lager des Elektromotors	
6. Fehlerbehebung	42
6.1 Fehler und Korrekturmaßnahmen	42
7. Lagerung und Entsorgung	42
7.1 Lagerbedingungen	42
7.2. Entsorgung von Öl und Prozesskondensat	42

1. Sicherheitsrichtlinien.

1.1 Symbolerklärung.

	Lebensgefahr
	Warnung.
	Achtung.

1.2. Allgemeine Sicherheitsrichtlinien.

	Machen Sie sich sorgfältig mit den technischen Dokumenten, Betriebsanleitungen und Sicherheitsrichtlinien vertraut. Ein Großteil der Unfälle im Umgang mit Kompressoranlagen ist auf Nichteinhaltung von Sicherheitsrichtlinien zurückzuführen. Vermeiden Sie unnötige Risiken und halten Sie sich an die Sicherheitsrichtlinien. Die wichtigsten Regeln sind im Folgenden beschrieben.
	Der Benutzer trägt die volle Verantwortung für Verletzungen Der Benutzer trägt die volle Verantwortung für Verletzungen oder Schäden, die während der Montage, des Betriebs, der Wartung sowie aufgrund von unberechtigter Nutzung der Anlage auftreten. Wartung sowie aufgrund von unberechtigter Nutzung der Anlage auftreten.

1. Der Betreiber hat die in diesen Anweisungen sowie in den geltenden gesetzlichen Vorschriften enthaltenen Sicherheitsrichtlinien genauestens einzuhalten!
2. Bei Überschneidungen der Sicherheitsrichtlinien mit der örtlichen Gesetzgebung gelten stets die strengeren Vorschriften.
3. Nur Wartungspersonal mit entsprechender Berufsausbildung ist es gestattet, Comprag-Anlagen zu bedienen, zu warten und zu reparieren.
4. Druckluft, die direkt vom Kompressor kommt, kann Öl und Verunreinigungen enthalten und ist nicht als Atemluft geeignet! Druckluft muss in Übereinstimmung mit den geltenden gesetzlichen Vorschriften auf einen zur Atmung geeigneten Luftreinheitsgrad gebracht werden.
5. Druckluft ist eine äußerst gefährliche Energiequelle. Druckluft darf niemals unsachgemäß verwendet werden! Verwenden Sie niemals Druckluft, um Kleidung oder Schuhe zu reinigen und zielen Sie mit Druckluftschläuchen niemals auf Menschen oder Tiere! Bei der Reinigung von Geräten mit Druckluft ist äußerste Vorsicht geboten. Tragen Sie dabei immer eine Schutzbrille!
6. Wartungs-, Reparatur-, Aufbau-, und Montagearbeiten dürfen nur durchgeführt werden, wenn das Gerät ausgeschaltet ist, von der Stromquelle getrennt ist, die Druckluftschläuche vom Gerät getrennt sind und beteiligte Personen Schutzbrillen tragen. Stellen Sie sicher, dass die Anlage vom Druckluftsystem getrennt ist und nicht unter Druck steht.


1.3. Sicherheitshinweise für die Inbetriebnahme



Der Benutzer trägt die volle Verantwortung für Verletzungen oder Schäden, die während der Montage, des Betriebs, der Wartung sowie aufgrund von unberechtigter Nutzung der Anlage auftreten.


1. Anlagen dürfen ausschließlich mit entsprechenden Handhabungsgeräten oder Kränen auf-/abgeladen werden. Anlagen dürfen nicht von Hand angehoben oder bewegt werden. Anlagen niemals an Hebezeugen o. Ä. hängen lassen. Beim Abladen immer einen Helm tragen.
2. Stellen Sie die Anlagen in einem trockenen und sauberen Gebäude auf, wo sie vor Niederschlag geschützt sind. Das Gebäude muss ausreichend und bei Bedarf durch Fremdbelüftung belüftet sein.
3. Abgenutzte, beschädigte oder defekte Druckluftschläuche dürfen nicht verwendet werden. Stellen Sie sicher, dass die verwendeten Schläuche hinsichtlich Durchmesser und Betriebsdruck für die jeweiligen Geräte geeignet sind.
4. Sind in einem System mehrere Kompressorstationen vorhanden, benötigt jeder Kompressor ein von Hand betätigtes Ventil zum Abschalten der einzelnen Kompressoren für Notfälle.
5. Explosive und leicht entzündliche Substanzen wie Lösungsmitteldämpfe, Kohlenstaub etc. dürfen keinesfalls in die Atmosphäre freigesetzt werden.
6. Sorgen Sie für ungehinderten Zugang zum Druckluftschlauch vom Kompressor. Der Schlauch sollte nicht verdeckt sein und es dürfen keine brennbaren Materialien in unmittelbarer Nähe gelagert werden.

7. Druckluftschläuche dürfen nicht gequetscht oder verformt werden.
8. Lüftungsöffnungen von Anlagen dürfen nicht abgedeckt werden. Achten Sie darauf, dass das Gebäude gut belüftet ist.
9. Bei Verwendung einer Fernsteuerung muss folgende Warnung gut sichtbar und lesbar am Gerät vorhanden sein: „**ACHTUNG:** Diese Maschine ist ferngesteuert und kann ohne Vorwarnung anlaufen!“ Ein Bediener, der das Gerät fernsteuert, muss sicherstellen, dass zu dem Zeitpunkt keine Montage- oder anderen Arbeiten an der Anlage durchgeführt werden. Wurde das Gerät per Fernsteuerung abgeschaltet, muss der Bediener sicherstellen, dass das Gerät auch tatsächlich ausgeschaltet ist!
10. Anlagen müssen geerdet sein. Kurzschlusschutzvorrichtungen müssen vorhanden sein. Der Not-Aus-Taster muss sich in unmittelbarer Nähe des Geräts befinden und gegen unberechtigte Inbetriebnahme schützen.

	<p>Der Benutzer trägt die volle Verantwortung für den ordnungsgemäßen Betrieb des in der Anlage vorhandenen Elektromotors. Anlagen sind nur mit entsprechenden Schutzvorrichtungen zu betreiben.</p> <p>Die Schutzvorrichtungen müssen den Elektromotor vor Kurzschlüssen, Überlast (systematisch und bei der Inbetriebnahme) und Phasenausfall schützen.</p> <p>Die Montage von Schutzvorrichtungen liegt in der Verantwortung des Benutzers.</p>
---	--

11. Bei Geräten mit einem unabhängigen Steuersystem mit automatischer Neustartfunktion muss neben dem Bedienfeld folgender Hinweis stehen: „**ACHTUNG:** Diese Maschine kann ohne Vorwarnung anlaufen!“
12. Sämtliche Tanks und Behälter, die unter Druck stehen, müssen mit Sicherheitsventilen ausgestattet sein! Die unerlaubte Montage, Demontage oder Verstellung der vorhandenen Sicherheitsventile ist nicht gestattet.

1.4. Sicherheitshinweise für den Betrieb

	<p>Der Benutzer trägt die volle Verantwortung für Verletzungen oder Schäden, die während der Montage, des Betriebs, der Wartung sowie aufgrund von unberechtigter Nutzung der Anlage auftreten.</p>
---	---

1. Stellen Sie sicher, dass die verwendeten Schläuche hinsichtlich Durchmesser und Betriebsdruck für die jeweiligen Geräte geeignet sind. Überprüfen Sie die einzelnen Schlauchanschlüsse vor der Inbetriebnahme auf festen Sitz. Eine lose Schlauchverbindung kann schwere Verletzungen verursachen.

2. Anlagen niemals einschalten, wenn leicht entzündliche Luftverunreinigungen vermutet werden.
3. Der Bediener, der das Gerät fernsteuert, muss sicherstellen, dass zu dem Zeitpunkt keine Montage- oder anderen Arbeiten an der Anlage durchgeführt werden. Folgender Warnhinweis muss gut sichtbar am Gerät angebracht sein: „ACHTUNG: Diese Maschine ist ferngesteuert und kann ohne Vorwarnung anlaufen!“
4. Das Gerät darf keinesfalls bei Müdigkeit sowie nach dem Konsum von Alkohol, Drogen oder Medikamenten, die die Reaktionszeit reduzieren, verwendet werden.
5. Das Gerät darf nicht betrieben werden, wenn Teile des Gehäuses entfernt wurden. Türen oder Abdeckungen dürfen zu Prüfzwecken und für geplante Kontrollen kurzzeitig geöffnet werden. Gehörschutz wird dringend empfohlen.



Bei manchen Geräten können offene Türen oder fehlende Abdeckungen während des Betriebs zu Überhitzung führen.

6. Bei Arbeiten unter Betriebsbedingungen oder in Gebäuden, in denen der Schalldruckpegel 90 dB (A) oder mehr erreicht, muss Gehörschutz getragen werden.
7. Wird beim Heizen des Gebäudes Druckluft zur Anlagenkühlung verwendet, muss die Luft gefiltert werden, damit sie zum Atmen geeignet ist.
8. Folgende Punkte sind regelmäßig zu kontrollieren:
 - Vorhandensein von Sicherheitsvorrichtungen und -geräten
 - Zustand und Dichtigkeit sämtlicher Schläuche und Rohrleitungen
 - Lecks
 - Festigkeit von Halterungen und Strukturbauteilen
 - Zustand und Sicherheit der elektrischen Leitungen und Kontakte
 - Funktionstüchtigkeit und Sauberkeit von Sicherheitsvorrichtungen
 - Funktionstüchtigkeit von Strukturbauteilen und Anzeichen von Verschleiß

1.5. Sicherheitshinweise für die Wartung und Reparatur



Der Benutzer trägt die volle Verantwortung für Verletzungen oder Schäden, die während der Montage, des Betriebs, der Wartung sowie aufgrund von unberechtigter Nutzung der Anlage auftreten.

1. Es sind ausschließlich original Ersatz- und Zusatzteile zugelassen. Die Verwendung von Ersatzteilen anderer Hersteller kann zu unvorhersehbaren Ergebnissen und somit zu Unfällen führen.
2. Bei Montage- und Reparaturarbeiten ist stets eine Schutzbrille zu tragen!

3. Vor dem Anschließen oder Trennen von Geräten sind diese vom Hauptdruckluftsystem zu trennen. Stellen Sie sicher, dass die Schläuche nicht unter Druck stehen!
4. Vor Beginn von Montagearbeiten oder sonstigen Arbeiten muss sichergestellt werden, dass die Anlage nicht unter Druck steht. Es dürfen niemals Montagearbeiten an Anlagen, die unter Druck stehen, durchgeführt werden.
5. Sämtliche Wartungsarbeiten dürfen erst ausgeführt werden, wenn die Bauteile auf Raumtemperatur abgekühlt sind.
6. Verwenden Sie niemals leicht entzündliche Lösungsmittel oder Tetrachlormethan zur Reinigung von Strukturbauteilen. Treffen Sie entsprechende Vorkehrungen gegen giftige Dämpfe von Reinigungsmitteln.
7. Während Montage- und Reparaturarbeiten sollte ein Hinweisschild am Bedienfeld angebracht sein, das vor unbefugtem Einschalten warnt. Beispiel: „Nicht einschalten. Gefahr für Bedienpersonal!“
8. Der Bediener, der das Gerät fernsteuert, muss sicherstellen, dass zu dem Zeitpunkt keine Montage- oder anderen Arbeiten an der Anlage durchgeführt werden. Folgender Warnhinweis muss gut sichtbar am Gerät angebracht sein: Siehe 1.3.9.
9. Halten Sie das Gebäude, in dem das Gerät steht, sauber. Schließen Sie offene Zu- und Abläufe während der Montage mit trockenen Lappen oder Papier, um zu verhindern, dass Schmutz in die Anlage gelangt.
10. Schweißarbeiten oder ähnliche Arbeiten dürfen nicht in unmittelbarer Nähe von Anlagen und Behältern, die unter Druck stehen, durchgeführt werden.
11. Schalten Sie die Anlage bei Verdacht auf Überhitzung, Entzündung sowie in anderen Notsituationen umgehend aus. Schalten Sie die Anlage sofort stromlos. Öffnen Sie Türen der Anlage erst, wenn sie sich auf Raumtemperatur abgekühlt hat, um Verbrennungen oder Verletzungen zu vermeiden.
12. Offene Flammen dürfen nicht als Lichtquelle für Inspektionen und Kontrollen der Anlage genutzt werden.
13. Verwenden Sie niemals ätzende Lösungsmittel, die Materialien im Druckluftsystem beschädigen könnten.
14. Stellen Sie nach Montagearbeiten oder anderen Arbeiten sicher, dass keine Werkzeuge, Lappen oder Ersatzteile im Gerät zurückgelassen wurden.
15. Achten Sie besonders auf die Sicherheitsventile. Kontrollieren Sie sie gründlich und entfernen Sie Staub und Schmutz. Ihre Funktion darf unter keinen Umständen beeinträchtigt sein. Denken Sie immer daran, dass Ihre Sicherheit von ihrer Funktionstüchtigkeit abhängt!
16. Stellen Sie nach Wartungs- oder Reparaturarbeiten und vor Beginn des Betriebs im normalen Modus sicher, dass der Betriebsdruck, die Temperatur und andere Merkmale richtig eingestellt sind. Stellen Sie sicher, dass alle Steuergeräte installiert sind und einwandfrei funktionieren.
17. Wischen Sie beim Wechsel von Filtern, Abscheidern usw. Staub-, Schmutz- und Ölablagerungen an der jeweiligen Stelle mit einem trockenen Tuch ab.
18. Schützen Sie Motor, Luftfilter, elektrische Komponenten, Steuerkomponenten usw. vor


Kontakt mit dem Kondensat. Blasen Sie sie zum Beispiel mit trockener Luft ab.

19. Sicherheitshinweise für den Umgang mit Kältemittel:

- Niemals Kältemitteldämpfe einatmen. Stellen Sie sicher, dass der Arbeitsbereich gut belüftet ist. Bei Bedarf Atemschutz tragen.
- Tragen Sie immer Spezialhandschuhe. Wenn Kältemittel mit der Haut in Kontakt kommt, spülen Sie die betroffene Stelle mit reichlich Wasser ab. Wenn Kältemittel durch Kleidung hindurch mit der Haut in Kontakt kommt, versuchen Sie nicht, die Kleidung zu entfernen. Spülen Sie die Kleidung stattdessen gründlich mit klarem Wasser aus, bis das Kühlmittel ausgewaschen wurde. Suchen Sie anschließend einen Arzt auf.

20. Tragen Sie bei Montage- und Reparaturarbeiten (wie z. B. bei einem Ölwechsel) Schutzhandschuhe, um Verbrennungen und Verletzungen zu vermeiden.

2. Technische Daten und Funktionsbeschreibung

	Die Garantie im festgelegten Zeitraum erlischt wenn:							
	– Der Gewährleistungsschein des Kompressors nicht vorhanden ist, oder wenn er fehlerhaft ausgefüllt ist.							
	– Wenn die Wartungsarbeiten nicht ordnungsgemäß im Servicebuch vermerkt sind.							
	– Wenn bei Reparaturen keine Comrag-Originalteile oder Schmiermittel benutzt werden.							

2.1 Technische Daten

Artikel	Modell	Antriebsleistung (kW)	Max. Betriebsdruck (bar)	Luftvolumenstrom* (m ³ /min)	Geräuschpegel** (dB)	Nennspannung (phase/V/Hz)	Luftkesselvolumen (liter)	Schraubverbindung
11200301	RCW-3-100	3,0	10	0,52	74	3/380/50	100	1/2"
11200302	RCW-3-270	3,0	10	0,52	74	3/380/50	250	1/2"
11200401	RCW-4-100	4,0	10	0,70	74	3/380/50	100	1/2"
11200402	RCW-4-270	4,0	10	0,70	74	3/380/50	270	1/2"
11200501	RCW-5,5-100	5,5	10	0,82	76	3/380/50	100	1/2"
11200502	RCW-5,5-270	5,5	10	0,82	76	3/380/50	270	1/2"
11200503	RCW-5,5-500	5,5	10	0,82	76	3/380/50	500	1/2"
11200702	RCW-7,5-270	7,5	10	1,20	78	3/380/50	270	1/2"
11200703	RCW-7,5-500	7,5	10	1,20	78	3/380/50	500	1/2"

11201102	RCW-11-270	11	10	1,70	79	3/380/50	270	1/2"
11201103	RCW-11-500	11	10	1,70	79	3/380/50	500	1/2"

* Gemessen nach ISO 1217

** Gemessen nach ISO 3744

2.2 Allgemeine Beschreibung

RECOM RCW Kompressoren bestehen aus einem robusten, zweistufigen Gusseisenblock, der mit geringer Drehzahl und einer niedrigen Betriebstemperatur betrieben wird.

Alle RECOM RCW Kompressoren sind mit einem dreiphasigen Industrie-Elektromotor und einem elektromechanischen Drucksteuerrelais ausgestattet.

Die Kompressoren der RCW Serie verfügen über ein Zentrifugal-Ablasssystem, das den Druck im Zylinder während des Druckaufbaus verringert, wodurch eine Überlastung des Motors während der Startphase verhindert und eine hohe Kompressorleistung erzielt wird.

2.3 Ablaufdiagramm und Hauptkomponenten

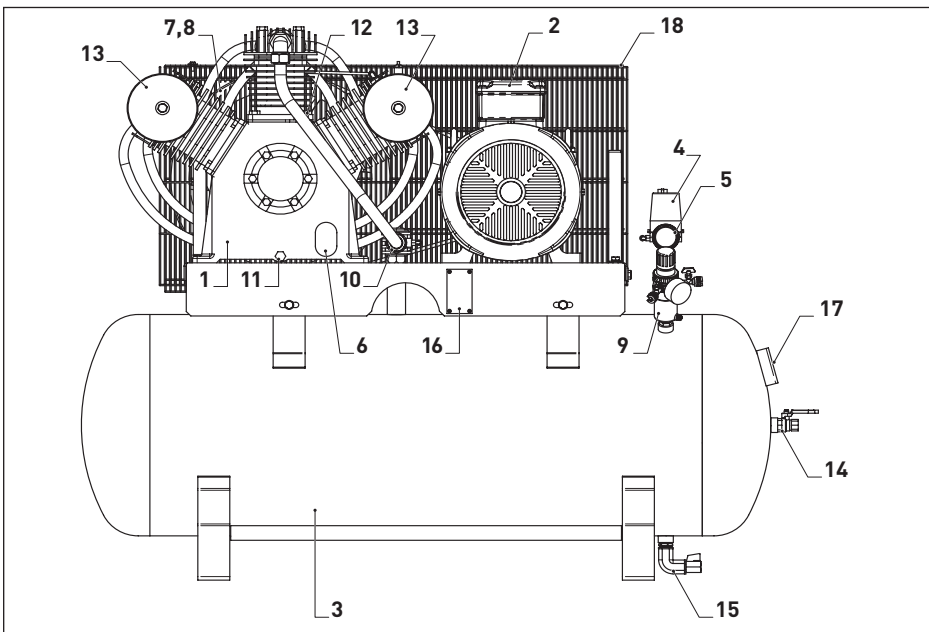


Abb. 1 Hauptkomponenten RCW.

1	Kompressorblock	10	Rückschlagventil
2	Elektromotor	11	Ölablassstopfen
3	Druckkessel	12	Ölfüllstopfen

4	Druckschalter	13	Luftfilter
5	Manometer	14	Druckluftauslass Kugelhahn
6	Ölschauglas	15	Kondensatablasshahn
7	Riemenscheibe Kompressorblock	16	Typenschild Kompressor
8	Riemen	17	Typenschild Druckkessel
9	Filterregler	18	Schutzgitter

2.4 Funktionsbeschreibung

Bei RCI Modellen wird Luft in den Niederdruckzylinder und anschließend in den Vorverdichtungszyylinder geleitet. Die vorverdichtete Luft wird in den Hochdruckzylinder und dann durch die Ablassleitung in den Druckbehälter geleitet.

Sobald der Betriebsdruck erreicht wird, stoppt der Kompressor und überschüssige Luft in der Kompressorpumpe und Druckleitung wird durch das Zentrifugal-Ablasssystem abgelassen. Während des Luftverbrauchs fällt der Druck im Druckbehälter ab. Wenn der untere Grenzwert erreicht wird, schaltet sich der Elektromotor wieder ein. Die Leistung wird nach dem Start des Kompressors durch regelmäßiges Starten und Stoppen des Kompressors automatisch gesteuert.

Die reguläre Betriebszeit beträgt 20 Minuten und die Ausfallzeit 5 Minuten (um ein Überhitzen zu vermeiden).

2.5 Elektro-Schaltplan

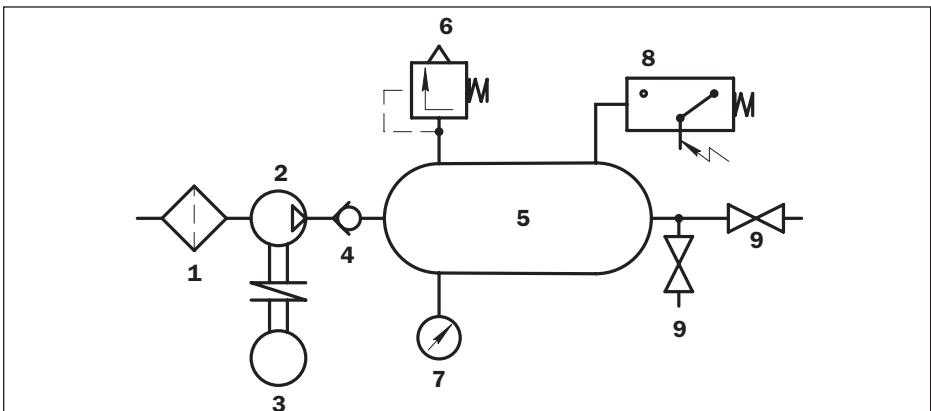


Abb. 2 Funktionsdiagramm RCW

1	Luftfilter	6	Sicherheitsventil
2	Kompressorblock	7	Manometer
3	Elektromotor	8	Druckschalter
4	Rückschlagventil	9	Druckluftauslass Kugelhahn
5	Druckkessel	10	Filterregulator

2.6 Elektroschaltplan und Hauptkomponenten

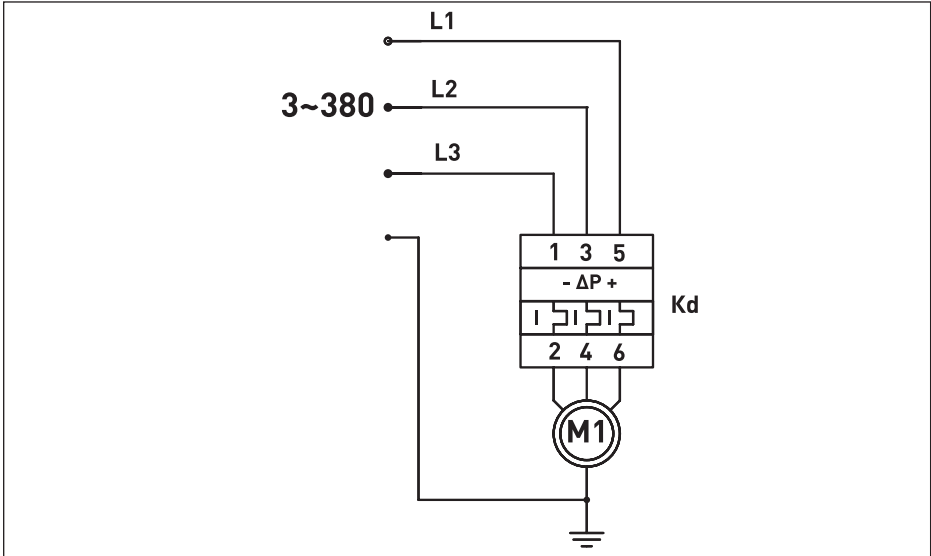


Abb. 3 Elektroschaltplan RCW

L1, L2, L3	Stromleitungen
Kd	Druckschalter
M1	Elektromotor

3. Inbetriebnahme

3.1 Heben und transportieren



Alle Transportvorgänge sollten mit einem Gabelstapler, dessen Traglast für das Gewicht Ihres Kompressors ausgelegt ist durchgeführt werden.

Hebevorgänge können auch mit Kran, Seilwinden oder anderen Hebezeugen, mit Verwendung von Transporttraversen der richtigen Länge ausgeführt werden.

Beachten Sie die örtlichen Sicherheitsvorschriften.

3.2 Abmessungen

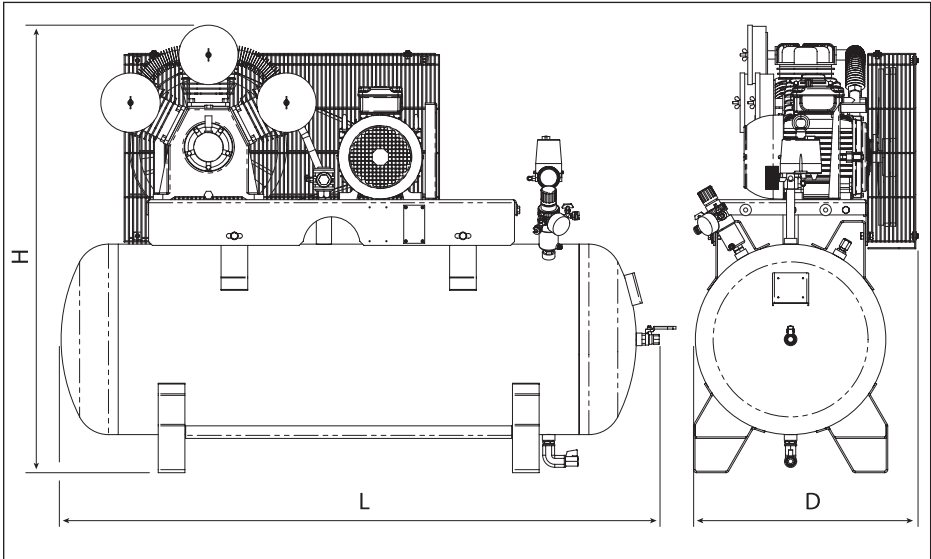


Abb. 4 Abmessungen RCW

Modell	Hauptabmessungen Kompressor			
	Länge L, mm	Breite D, mm	Höhe H, mm	Gewicht, kg
RCW-3-100	1250	490	949	139
RCW-3-270	1614	607	1179	222
RCW-4-100	1205	490	949	161
RCW-4-270	1614	607	1179	244
RCW-5,5-100	1205	490	949	187
RCW-5,5-270	1614	607	1179	278
RCW-5,5-500	1953	650	1243	312
RCW-7,5-270	1614	607	1179	282
RCW-7,5-500	1953	650	1243	324
RCW-11-270	1614	607	1179	373
RCW-11-500	1953	650	1243	405

Tab. 2 Abmessungen RCW

3.3 Voraussetzungen für die Installation am Standort

Versichern Sie sich, dass der Untergrund im Arbeitsumfeld des Kompressors für das Komplettgewicht der Druckluftanlage ausgelegt ist.

Justieren Sie die horizontale Achse des Kompressors mit Hilfe eines Nivellierinstruments.

Wenn der Kompressor nicht mit dem Untergrund verankert ist, darf der Winkel zur

horizontalen Ebene des Untergrundes nicht mehr als 3° betragen. Wenn der Kompressor mit dem Untergrund verankert ist, dürfen 7° nicht überschritten werden.

Montieren Sie den Kompressor mindestens 1,5 m von den Wänden entfernt.

Wenn mehrere Kompressoren montiert werden, halten Sie einen Minimumabstand von 1,5 m von Kompressor zu Kompressor ein.

Zwischen Kompressor und Druckluftzubehör sollten 4 m Sicherheitsabstand gelassen werden.

Der Standort des Kompressors muss mit einem kombinierten Be- und Entlüftungssystem ausgestattet werden.



Am Standort des Kompressors, sollte ein doppelt so großer Luftmenge, wie der vom Hersteller angegebene Luftvolumenstrom zur Verfügung stehen.

Das Volumen der Absaugung darf maximal 40% des Luftvolumenstroms der Belüftung am Einsatzort des Kompressors betragen.

Die Temperatur am Einsatzort des Kompressors darf nicht unter 5+ °C fallen.

3.4 Anbindung an die Druckluftleitung

Bemessen Sie die Druckluftleitung auf einen Durchsatz entsprechend der Kompressorleistung.

Um Schäden in Verbindung mit Dichtungsfehlern bei der Druckluftleitung zu vermeiden, sollte der Kompressor mit einem biegsamen Schlauch angeschlossen werden.

Alle Komponenten der Druckluftleitung müssen einen Betriebsdruck aufweisen, der mindestens über dem Nenndruck des Kompressors liegt.

Verwenden Sie einen Druckbehälter mit einer Kapazität, die der Kompressorleistung und dem Druckluftverbraucher entspricht.

3.5 Anbindung an das Stromnetz

Schließen Sie den Kompressor an das Stromnetz an, d. h., stecken Sie den Stecker des Kompressornetzkabels in eine 380-V-Steckdose.

Stellen Sie sicher, dass Ihr Stromnetz für den Startstrom des Kompressors ausgelegt ist. Der Kompressor muss in Reichweite mit einem Trennschalter ausgerüstet werden, um den Anschluss und die Wartung zu vereinfachen.



Der Kompressor muss geerdet und auf allen Phasen gegen Kurzschlüsse, unzulässige Spannungsschwankungen und Phasenausfälle geschützt werden.

3.6 Bezeichnungen und Symbolerklärung

Stellen Sie sicher, dass das Netzkabel des Kompressors intakt ist. Überprüfen Sie den Ölstand mithilfe des Sichtglases (Punkt 3.7). Füllen Sie gegebenenfalls Öl nach (Punkt 5.1).

3.7 Überprüfen des Ölstands des Kompressors

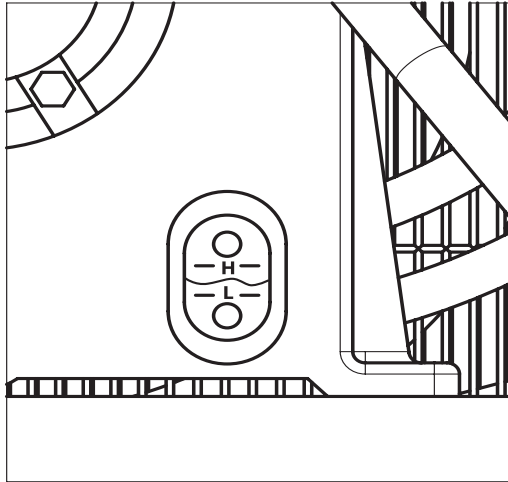


Abb. 5 Überprüfen des Ölstands des Kompressors

Der Ölstand im Kompressor kann mithilfe des Ölstandsanzeigers (1) bei abgeschaltetem Kompressor abgelesen werden.

Der Ölstandsanzeiger befindet sich im unteren Bereich der Kompressorpumpe. Wenn Öl im roten Kreis am Glas zu erkennen ist, befindet sich das Öl des Kompressors auf einem normalen Niveau. Wenn kein Öl im Kreis am Ölstandsanzeiger sichtbar ist, muss Öl hinzugefügt werden.

3.8 Überprüfen des Antriebsriemens



Überprüfen Sie täglich den Zustand und die Spannung der Antriebsriemen.

Überprüfen Sie täglich den Zustand und die Spannung der Antriebsriemen (1).

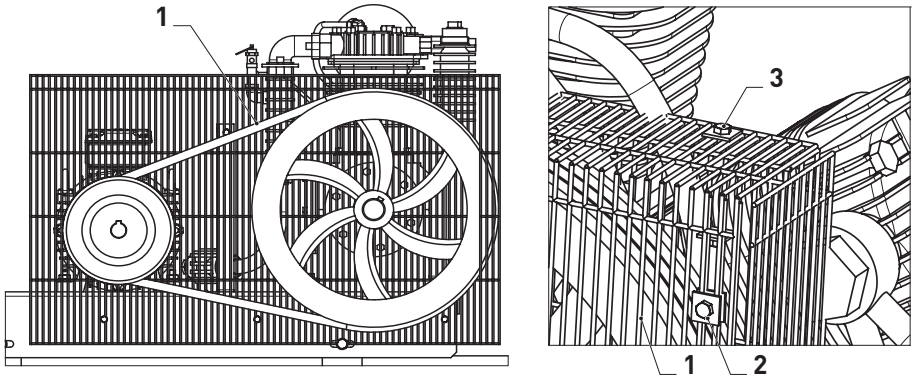


Abb. 6 Überprüfen des Antriebsriemens

Lösen Sie die 4 Schrauben (2) am Riemenschutz (1) und entfernen Sie dabei die Klammern des Riemenschutzes (3) sowie den Rienschutz selbst. Prüfen Sie die Riemen auf Verschleiß an den Seitenkanten und Risse. Wenn die Riemen beschädigt sind, müssen sie ausgetauscht werden. Überprüfen Sie mithilfe eines Riemen Spannungsmessgeräts die Zugspannung der Kompressorriemen. In der Tabelle werden die Zuglasten der Riemen für die verschiedenen Modelle angegeben. Bringen Sie den Rienschutz an, ziehen Sie die Schrauben an und tauschen Sie die entfernten Klammern aus.

Modell	Spannkraft F, N
RCW-3-100	250
RCW-3-270	250
RCW-4-100	250
RCW-4-270	250
RCW-5,5-100	250
RCW-5,5-270	250
RCW-5,5-500	250
RCW-7,5-270	250
RCW-7,5-500	250
RCW-11-270	250
RCW-11-500	250

Tab. 7 Zuglasten der Riemen

4. Betrieb



Der Kompressor darf nicht von nichtqualifizierten Personen betrieben werden.

4.1 Steuer- und Bedieneinheit



Vor der Überprüfung des Ölstands

Schalten Sie die Spannungsversorgung ein.

Drehen Sie den Druckschalter 90 Grad im Uhrzeigersinn von der OFF-Position in die AUTO-Position.

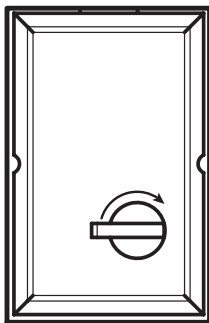


Abb. 7 Einschalten der Spannungsversorgung

Der Kompressor nimmt den Betrieb im automatischen Betriebsmodus auf.

4.2 Fehleranzeige

Drehen Sie den Druckschalter 90 Grad gegen den Uhrzeigersinn von der AUTO-Position in die OFF-Position.

Nach dem Betrieb

Ziehen Sie den Stecker des Kompressornetzkaabels aus der 380-V-Steckdose und öffnen Sie zur Druckentlastung des Druckbehälters das Luftauslassventil.

5. Wartung

5.1 Wartungsplan

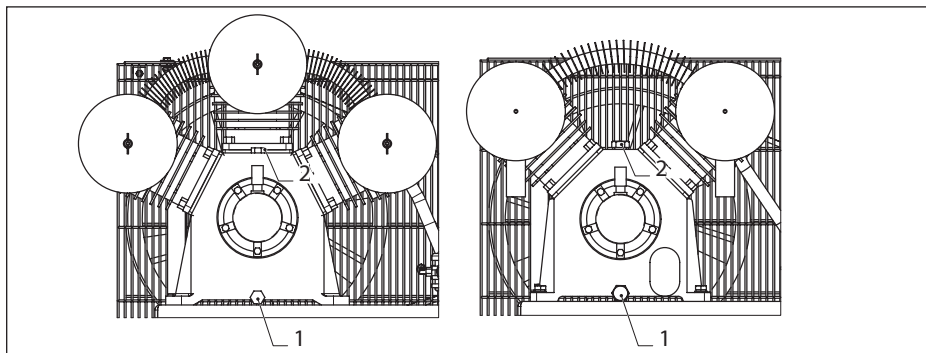


Abb. 8 Auswechseln des Kompressoröls

Lassen Sie den Druck im System ab, indem Sie das Luftauslasskugelventil öffnen. Lösen Sie den Ablassstopfen (1) von der Kompressorpumpe und lassen Sie das Öl in einem Spezialbehälter ab.

Schrauben Sie den Ablassstopfen (1) in seine ursprüngliche Position.

Lösen Sie den Einfüllstopfen (2) von der Kompressorpumpe und gießen Sie 2 l Comprac RecLub-Öl hinein.

Schrauben Sie den Einfüllstopfen in seine ursprüngliche Position.

Starten Sie den Kompressor und lassen Sie ihn für mehrere Minuten im Leerlauf laufen, damit das Öl zirkulieren und die Luft aus dem System entfernt werden kann.

Warten Sie einige Minuten, bis sich das Öl gesetzt hat und der Druck im Inneren abgelassen wurde.

Lösen Sie den Einfüllstopfen und fügen Sie bei Bedarf Öl hinzu, bis der Ölstand den roten Kreis am Sichtglas erreicht hat. Bringen Sie den Einfüllstopfen in seiner ursprünglichen Position an.

5.2 Ölstandskontrolle

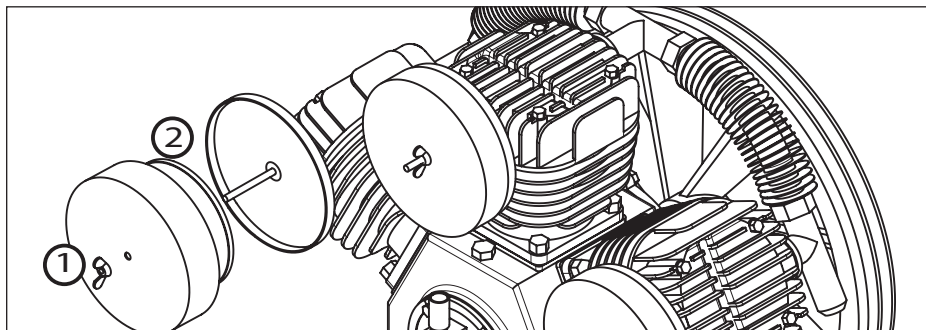


Abb. 9 Auswechseln der Ansaugluftfilter

Lösen Sie Flügelmutter am Filterdeckel (1) und entfernen Sie sie.
Entfernen Sie den Filterdeckel (1) und den verunreinigten Luftfilter (2).
Bringen Sie den neuen Luftfilter anstelle des verunreinigten Luftfilters an.
Bringen Sie den Filterdeckel an und ziehen Sie die Flügelmutter an.

5.3 Kontrolle des Riementriebs

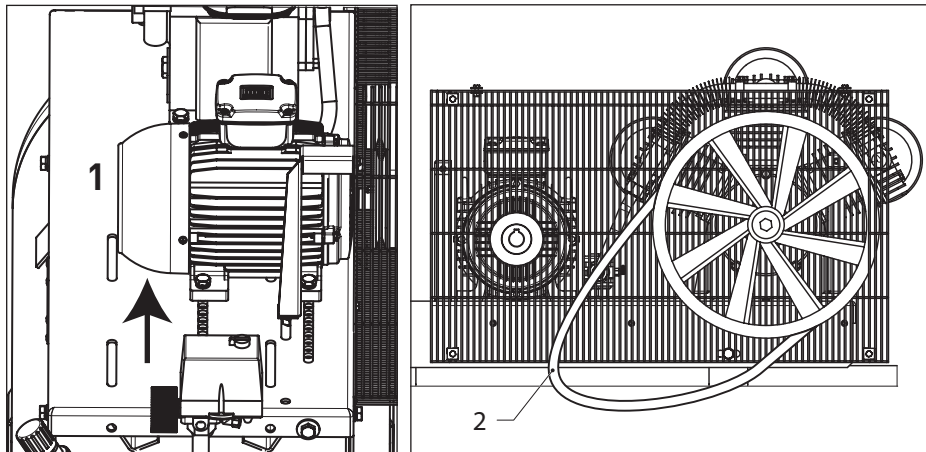


Abb. 10 and 11 Auswechseln der Antriebsriemen

Nehmen Sie den Riemenschutz ab.

Lösen Sie die zwei Schrauben des Motors und die zwei entsprechenden Muttern (1) auf der linken und rechten Seite des Motors.

Bewegen Sie den Elektromotor zur Kompressorpumpe, bis die Spannung im Riemen nachlässt.

Entfernen Sie den alten Riemen (2) vom Schwungrad der Kompressorpumpe und der Riemenscheibe des Elektromotors.

Bringen Sie den neuen Riemen an und spannen Sie ihn mit der entsprechenden Spannkraft F (siehe Tabelle in Abschnitt

3.7 Überprüfen des Antriebsriemens).

Bringen Sie den Riemenschutz an.

Überprüfen Sie die Riemen Spannung innerhalb von vier Stunden nach Inbetriebnahme des Kompressors.

5.4 Öl und Filter austauschen

Während der Kompressor in Gebrauch ist, müssen die Motorlager mit frischem viskosem Schmiermittel (für Wälzlager) gewartet werden.

Die Schmiermittel müssen mit einer speziellen Injektionsspritze für viskose Schmiermittel in die Lagerdeckel eingebracht werden.

Sie können die Ölmenge mit der folgenden Formel berechnen.

$$D^2_{\text{Motorwelle}} \text{ (mm)} \times 0.005 = M_{\text{(Schmiermittelmasse)}} \text{ (g)}$$

Überschmieren Sie die Lager nicht. Das überflüssige Öl wird sonst aus den Lagern in den laufenden Motor gequetscht.

6. Fehlerbehebung

6.1 Fehler und Korrekturmaßnahmen

Problem	Mögliche Fehler	Fehlerbehebung
Der Kompressor startet mit Verzögerung. Die Drehzahl des Elektromotors erhöht sich nur langsam.	Der Riemen ist zu stark gespannt.	Spannen Sie den Riemen mit der entsprechenden Kraft.
	Das Öl ist eingedickt.	Wechseln Sie das Öl aus.
Es pfeift während des Betriebes.	Der Riemen rutscht.	Spannen Sie den Riemen mit der entsprechenden Kraft.
Der Kompressor startet nicht.	Die Umgebungslufttemperatur in der Anlage entspricht nicht der erforderlichen Temperatur (+5 °C bis +40 °C).	Stellen Sie sicher, dass die Umgebungslufttemperatur am Kompressor-Standort im erforderlichen Bereich liegt.
Der Kompressor läuft heiß.	Der Aufstellort des Kompressors ist nicht ausreichend belüftet.	Erhöhen Sie die Luftzirkulation in der Anlage.
	Der Ölstand ist zu niedrig.	Füllen Sie Öl nach.
	Der Zylinder oder Kolben ist zerkratzt, verschlissen oder riefig.	Reparieren oder tauschen Sie ihn ggf. aus.
Es werden zu viele Start- und Stoppvorgänge durchgeführt.	Kompressor-Rückschlagventil undicht, gebrochen, verkocht oder lose.	Reinigen oder tauschen Sie sie ggf. aus. Überprüfen Sie die Ventile anschließend.
	Die Verschraubungen sind nicht fest genug angezogen oder undicht.	Ziehen Sie die Verschraubungen an, bei denen keine austretende Luft gehört werden kann. Überprüfen Sie die Verbindungen. Ziehen Sie sie nicht zu fest an.
Die Druckluft enthält Feuchtigkeit.	Im Luftbehälter ist Kondensation aufgetreten, die durch hohe Luftfeuchtigkeit verursacht wurde.	Entleeren Sie den Luftbehälter häufiger bei feuchtem Wetter und verwenden Sie einen Filter in den Druckluftleitungen.

7. Lagerung und Entsorgung

7.1 Lagerbedingungen

Der Temperaturbereich zwischen -20°C und $+35^{\circ}\text{C}$ mit max. 85% relative Luftfeuchtigkeit sollte bei der Lagerung des Kompressors eingehalten werden.

7.2. Entsorgung von Öl und Prozesskondensat

Benutztes Öl, verschmutzte Filter und Separatoren sollten in einem abgedichteten Container gelagert und von einem lokalen Recyclingunternehmen entsorgt werden. Achten Sie darauf, dass Öl nicht mit Regen- oder Grundwasser in berührung kommt.

Prozesskondensat beinhaltet Öl und Verunreinigungen. Die lokalen Umweltgesetze bestimmen den Grad der Kontamination des Prozesskondensats, das in die Kanalisation eingeleitet werden darf. Benutzen Sie Kondensatabscheider, um Öle und andere Verunreinigungen zu entfernen. Austauschelemente der Separatoren müssen genauso, wie mit Öl verunreinigte Reinigungstücher, professionell entsorgt werden.

Содержание

1	Меры безопасности	46
1.1	Введение	46
1.2	Средства индивидуальной защиты	46
1.3	Общие меры безопасности	47
1.4	Меры безопасности при транспортировке	47
1.5	Меры безопасности при эксплуатации	47
1.6	Меры безопасности при техническом обслуживании и ремонте	50
1.7	Меры безопасности при использовании инструмента	51
1.8	Меры безопасности при хранении	51
2	Устройство и принцип действия	52
2.1	Назначение	52
2.2	Технические данные	52
2.3	Внешний вид компрессора	53
2.4	Комплект поставки	54
2.5	Требования к месту установки	54
2.6	Основные компоненты	54
2.7	Описание принципа действия	56
2.8	Схема пневматическая	56
2.9	Схема электрическая принципиальная	57
3	Эксплуатация	57
3.1	Ввод в эксплуатацию	57
3.2	Перед началом работы и ежедневно	58
3.3	Запуск компрессора	58
3.4	Останов компрессора	59
3.5	По окончании работы	59
3.6	Проверка уровня масла компрессора	59
3.7	Проверка ремня привода	59
4	Техническое обслуживание	61
4.1	График техобслуживания	61
4.2	Смазочные масла	62

4.3	Замена масла компрессора	62
4.4	Замена фильтров воздушных блока поршневого	64
4.5	Замена ремня привода	67
5	Устранение неисправностей компрессора	69
6	Хранение	70
7	Утилизация	70
8	Технические характеристики	71
8.1	Шильдик	71
8.2	Моменты затяжки резьбовых соединений	71
9	Спецификация	72
9.1	Компрессор RCW	72
9.2	Блок поршневой 26 010 003	77
9.3	Блок поршневой 26 010 004	80
9.4	Блок поршневой 26 010 005	83
9.5	Блок поршневой 26 010 006	86
9.6	Блок поршневой 26 010 007	90
10	Гарантийные обязательства	94



ВНИМАНИЕ!

Отсутствие гарантийного талона на компрессор или неправильное заполнение гарантийного талона, а также отсутствие или неправильное заполнение журнала работы компрессора, отсутствие отметок в журнале работы компрессора о проведении регламентного технического обслуживания компрессора, применении неоригинальных расходных материалов и масел, лишает вас права на бесплатное устранение неисправностей, возникших во время эксплуатации компрессора в гарантийный период.

1. Меры безопасности

Перед использованием любого компрессора, оператор должен прочесть и уяснить содержание данного документа. К работе с компрессором допускается только обученный персонал.

1.1 Введение

Данное руководство должно храниться вблизи от компрессора в доступном для обслуживающего персонала месте. К эксплуатации, настройкам, техническому обслуживанию и ремонту компрессоров Comprag допускается только обслуживающий персонал с соответствующей степенью квалификации и профессиональной подготовки. Руководитель организации, эксплуатирующей компрессор, несет ответственность за назначение операторов с соответствующей степенью квалификации и профессиональной подготовки.

1.2 Средства индивидуальной защиты

Всем, кто находится в области работы компрессора, следует применять средства индивидуальной защиты:

- Наушники защитные
- Очки противоударные с боковой защитой
- Ботинки защитные с металлическим подноском
- Рабочую одежду, которая защищает руки и ноги

Убедитесь, что спецодежда застегнута, волосы убраны под головной убор.

Оператору запрещается работать с компрессором, если оператор утомлен, находится под воздействием алкоголя, наркотических средств или лекарственных препаратов, вызывающих замедленную реакцию организма.

1.3 Общие меры безопасности

- Поврежденные детали компрессора должны заменяться сразу же после выхода из строя

- Изношенные детали компрессора должны заменяться своевременно

В случае перегрева внутренних деталей компрессора или в случае подозрений на перегрев компрессор должен быть немедленно выключен.

Поддерживайте рабочую зону компрессора в чистоте.

Запрещается курить вблизи компрессора.

Запрещается подходить к источникам огня с маслом.

Вблизи зоны работы компрессора следует разместить огнетушитель.

1.4 Меры безопасности при транспортировке

Запрещается перемещать компрессор с места на место, не сбросив давление из ресивера.

Запрещается осуществлять перемещение компрессора за сетевой кабель 380 В.

1.5 Меры безопасности при эксплуатации



ВНИМАНИЕ!

Если доставка компрессора осуществлялась в холодный сезон, то после разгрузки в теплом помещении необходимо выдержать компрессор не менее 12 часов перед вскрытием упаковки. Это позволит избежать выпадения конденсата на внутренних деталях компрессора.

Запрещается использовать компрессор во взрывоопасной среде, в присутствии воспламеняемых материалов, токсичных паров.

Эксплуатация компрессора допускается при температуре воздуха от +5 до +40 С в хорошо вентилируемых помещениях.

Перед подсоединением или отсоединением рукава сжатого воздуха закройте шаровый кран выпуска воздуха компрессора. Удостоверьтесь в отсутствии давления в рукаве перед отсоединением рукава от компрессора.

Перед началом работы необходимо проверить, что все соединения сжатого воздуха надежно закреплены и на них отсутствуют повреждения. Запрещается устанавливать дополнительное оборудование, такие как масленка, влагоотделитель и др. непосредственно на шаровой кран выпуска воздуха компрессора.

Во время работы запрещается отсоединять воздушный рукав, если по нему в этот момент подается сжатый воздух.

Запрещается направлять воздушный рукав со сжатым воздухом в сторону людей.

Запрещается направлять на компрессор струю жидкости, создаваемую при использовании сжатого воздуха.

Запрещается отключать компрессор, выдергивая сетевой кабель 380 В из розетки.

Включение/выключение компрессора следует осуществлять только через реле контроля давления.

Запрещается применять компрессор для наполнения баллонов аквалангов.

Запрещается применять сжатый воздух для дыхания без специальной обработки.

Запрещается использовать изношенные, поврежденные или испорченные рукава сжатого воздуха.

Запрещается использовать рукава сжатого воздуха, неподходящие компрессору по диаметру и рабочему давлению.

В случае случайной проливки масла на компрессор и/или рядом с ним, полная очистка мест пролива с удалением следов обязательна.

Запрещается прикасаться к разъемам питания во время работы компрессора.

Доступ к электрическим компонентам компрессора под напряжением разрешается только квалифицированному электрику, в подобной ситуации обязательно примените средства защиты от поражения электрическим током.

Осуществляйте регулярную проверку электрических кабелей компрессора. При обнаружении поврежденных кабелей произведите отключение компрессора. Дальнейшая работа компрессора допускается только после замены кабелей и/или устранения электрической неисправности.

При возникновении чрезмерной вибрации, шума, запаха и другой аномальной ситуации остановите компрессор.



ВНИМАНИЕ!

Чрезмерный шум может стать причиной временной потери слуха.

Способы снижения воздействия шума на оператора:

- использование защиты органов слуха;
- использование при подключении к компрессору пневматического инструмента, оснащенного глушителем;

1.6 Меры безопасности при техническом обслуживании и ремонте

Использование компрессора не по назначению, внесение конструктивных изменений, нарушение правил эксплуатации может привести к получению увечий или смерти.

- Запрещается внесение конструктивных изменений в компрессор. Гарантия на модифицированный компрессор не действует;
- Разрешается использовать только поставляемые Comprag запасные части и вспомогательные принадлежности;
- Все работы по техническому обслуживанию должны производиться при выключенном компрессоре;

После завершения технического обслуживания никогда не оставляйте инструменты, детали, ветошь, тряпки, одежду и т.п. на корпусе компрессора.

- Запрещается для очистки компрессора использовать легковоспламеняющиеся растворители;
- Разрешается использование только одобренных Comprag смазочных масел.

Запрещается производить механический ремонт или сварку ресивера. Ресивер следует заменить полностью при обнаружении признаков коррозии или дефектов.

Запрещается проводить сварочные или слесарные работы вблизи компрессора.

После завершения технического обслуживания или ремонта удостоверьтесь, что рабочее давление, температура соответствуют номинальным значениям;

1.7 Меры безопасности при использовании инструмента



ВНИМАНИЕ!

Пыль и испарения

Пыль и испарения, образующиеся при слесарных, механических и строительных работах могут вызывать заболевания органов дыхания.

Для понижения риска воздействия пыли и испарений необходимо:

- Производить работы в хорошо проветриваемой зоне;
- Использовать средства защиты органов дыхания в соответствии с правилами по охране труда и технике безопасности;
- Использовать в рабочей зоне моющуюся или одноразовую защитную одежду. Перед выходом с работы переодеваться в чистую одежду;
- Если возникла необходимость покинуть рабочую зону, перед приемом пищи, напитков и использованием табачных изделий необходимо тщательно вымыть лицо и руки.

1.8 Меры безопасности при хранении

Компрессор и другие принадлежности следует хранить в месте, недоступном для детей.

2. Устройство и принцип действия

2.1 Назначение

Поршневые компрессоры RECOM серии RCW предназначены для работы в мастерских и для лёгкого промышленного применения. Компрессоры обладают ременным приводом от электродвигателя.

2.2 Технические данные

Артикул	Модель	Мощность привода, (кВт)	Максимальное рабочее давление, (бар)	Производительность* (м ³ /мин)	Напряжение, (фаз/В/ Гц)	Объем ресивера, (л)	Резьбовое соединение
11200301	RCW-3-100	3,0	10	0,52	3/380/50	100	1/2"
11200302	RCW-3-270	3,0	10	0,52	3/380/50	270	1/2"
11200401	RCW-4-100	4,0	10	0,70	3/380/50	100	1/2"
11200402	RCW-4-270	4,0	10	0,70	3/380/50	270	1/2"
11200501	RCW-5,5-100	5,5	10	0,82	3/380/50	100	1/2"
11200502	RCW-5,5-270	5,5	10	0,82	3/380/50	270	1/2"
11200503	RCW-5,5-500	5,5	10	0,82	3/380/50	500	1/2"
11200702	RCW-7,5-270	7,5	10	1,20	3/380/50	270	1/2"
11200703	RCW-7,5-500	7,5	10	1,20	3/380/50	500	1/2"
11201102	RCW-11-270	11,0	10	1,70	3/380/50	270	1/2"
11201103	RCW-11-500	11,0	10	1,70	3/380/50	500	1/2"

* данные производительности указаны в соответствии с ISO 1217, приложение С.

2.3 Внешний вид компрессора

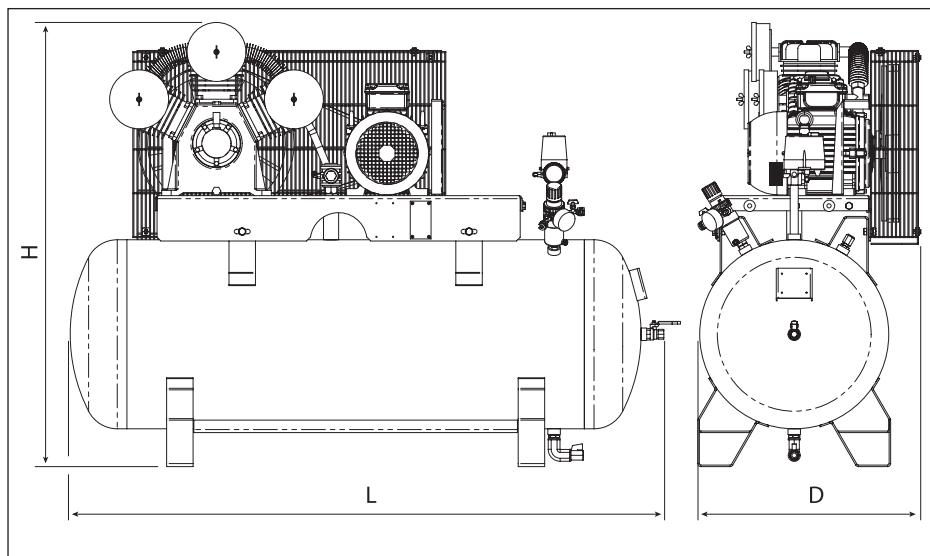


Рис. 2.1 Габаритная схема (на рисунке RCW-4-270)

Габаритные размеры, масса и конструктивные особенности компрессоров

Модель	Длина L, мм	Ширина D, мм	Высота H, мм	Масса, кг	Количество ступеней	Количество фильтров воздушных
RCW-3-100	1205	490	949	139	1	2
RCW-3-270	1614	607	1179	222	1	2
RCW-4-100	1205	490	949	161	1	3
RCW-4-270	1614	607	1179	244	1	3
RCW-5,5-100	1205	490	949	187	1	2
RCW-5,5-270	1614	607	1179	278	1	2
RCW-5,5-500	1953	650	1243	312	1	2
RCW-7,5-270	1614	607	1179	282	2	2
RCW-7,5-500	1953	650	1243	324	2	2
RCW-11-270	1614	607	1179	373	2	2
RCW-11-500	1953	650	1243	405	2	2

2.4 Комплект поставки

Компрессор – 1 шт.

Упаковка – 1 шт.

Папка с документацией – 1 шт.

2.5 Требования к месту установки

На месте установки поверхность пола должна быть ровной, горизонтальной, должна выдерживать нагрузку в виде массы компрессора.

Минимальные расстояние от краев объектов – 0,5 м.

Безопасное расстояние от места работы оборудования, подключенному к компрессору – 4 м. Если на корпус компрессора попадают брызги краски, распыляемой при помощи компрессора, это значит, что компрессор расположен слишком близко к рабочему месту.

2.6 Основные компоненты

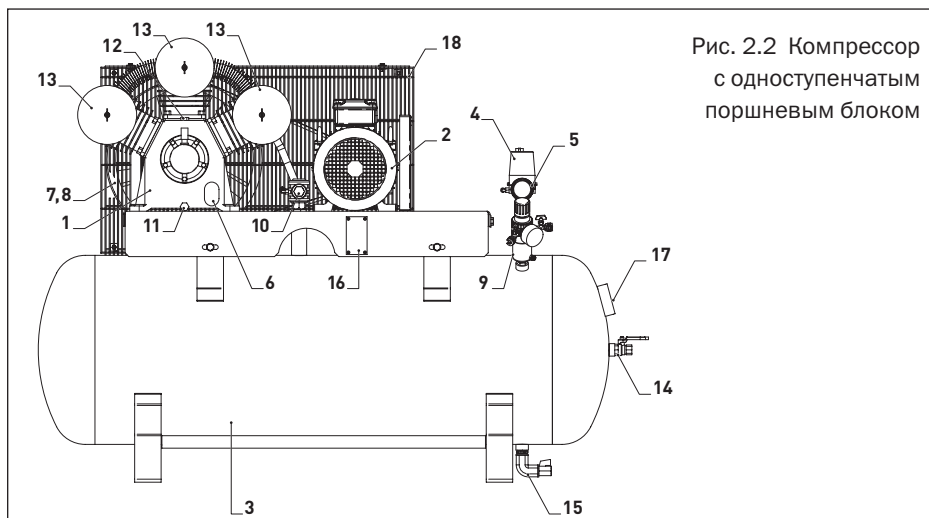


Рис. 2.2 Компрессор с одноступенчатым поршневым блоком

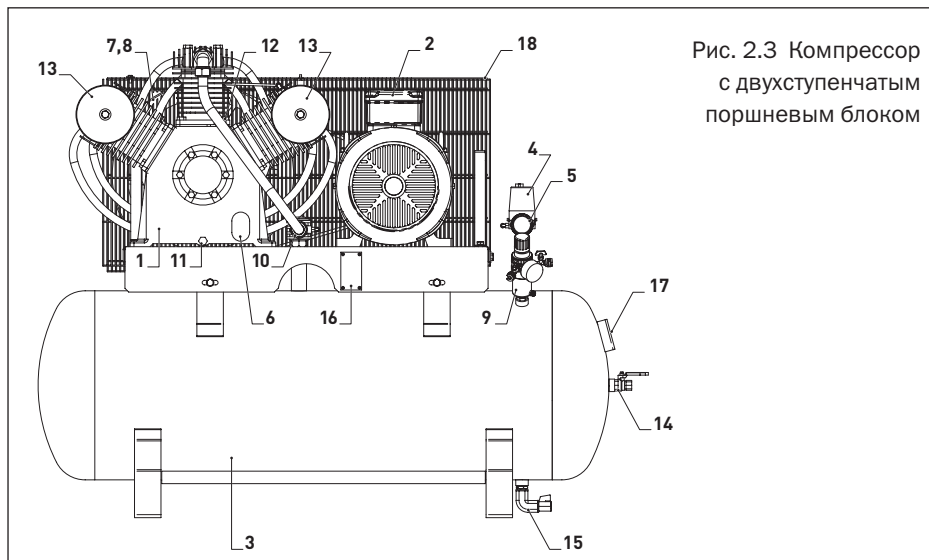


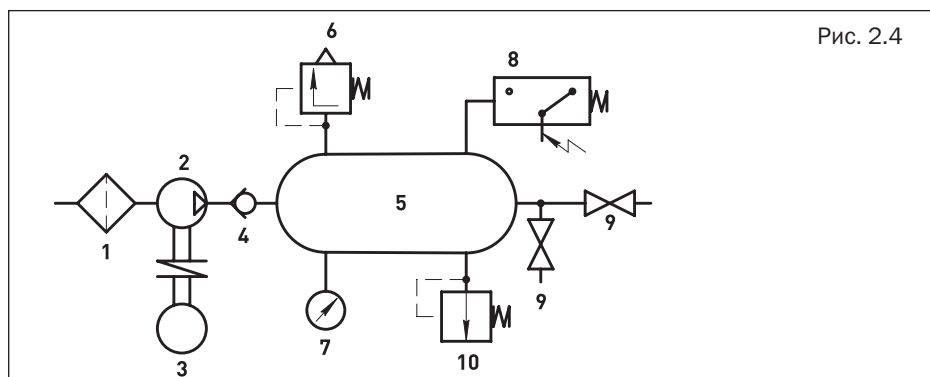
Рис. 2.3 Компрессор с двухступенчатым поршневым блоком

№	Наименование
1	Блок поршневой
2	Электродвигатель
3	Ресивер
4	Реле контроля давления
5	Манометр
6	Смотровое стекло уровня масла поршневого блока
7	Маховик блока поршневого
8	Ремень
9	Фильтр-регулятор
10	Клапан обратный
11	Пробка сливная
12	Пробка заливная
13	Фильтр поршневого блока воздушный
14	Кран шаровый выпуска воздуха
15	Кран шаровый сливной
16	Шильдик
17	Шильдик ресивера
18	Решетка

2.7 Описание принципа действия

В одноступенчатых моделях компрессор подает воздух через нагнетательный патрубок в ресивер. В двухступенчатых моделях воздух подается в низконапорный цилиндр и затем в цилиндр предварительного сжатия. Предварительно сжатый воздух по рециркуляционной трубе подается в высоконапорный цилиндр, а затем – в ресивер. После достижения рабочего давления компрессор останавливается, лишний воздух в поршневом блоке и напорном патрубке выпускается через клапан сброса под реле давления. При расходе воздуха давление в ресивере падает и при достижении нижнего предела, электродвигатель вновь включается. Регулирование производительности после пуска компрессора – автоматическое, путем периодического пуск-останова компрессора. Продолжительность перегрева (для предупреждения перегрева).

2.8 Схема пневматическая

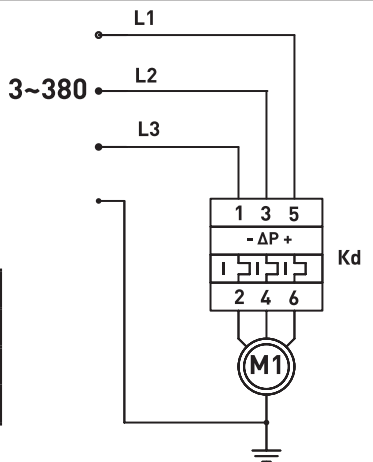


№	Наименование
1	Фильтр поршневого блока воздушный
2	Блок поршневой
3	Электродвигатель
4	Клапан обратный
5	Ресивер
6	Клапан предохранительный
7	Манометр
8	Реле контроля давления
9	Кран шаровый воздуха
10	Фильтр-регулятор

2.9 Схема электрическая принципиальная

Рис. 2.5

Маркировка	Наименование
L1, L2, L3	Провода фазы в вилке 380 В
Kd	Реле контроля давления
M1	Электродвигатель



3. Эксплуатация

3.1 Ввод в эксплуатацию

Произведите демонтаж компрессора с транспортного поддона.

Убедитесь, что пол помещения выдерживает массу компрессора. Установите компрессор на ровное основание, способное выдержать его массу.

Проконтролируйте по уровню (ватерпасу, нивелиру или иному) горизонтальность установки компрессора. Без анкерного крепления компрессора к основанию, на которое он установлен, угол отклонения от горизонтальной поверхности не должен превышать 3°. В случае анкерного крепления компрессора к основанию, на которое он установлен, угол отклонения от горизонтальной поверхности не должен превышать 7°.

Устанавливайте компрессор в помещении, в котором исключено попадание атмосферных осадков.

Для установки компрессора выбирайте помещение с минимальным уровнем пыли.

Подключите компрессор к магистрали сжатого воздуха. Обеспечьте пропускную способность магистрали сжатого воздуха в соответствии с производительностью компрессора.

Подключите компрессор к электрической сети: вилку сетевого кабеля компрессора в розетку 380 В. Длина сетевого кабеля составляет 2 м. Убедитесь в том, что ваша электрическая сеть выдерживает пусковой ток компрессора. Линия питания должна быть четырехпроводной: три фазных провода и провод заземления.

Модели компрессоров	Пусковой ток электродвигателя, А	Номинальный ток электродвигателя, А
RCW-3-100, RCW-3-270	42	6,5
RCW-4-100, RCW-4-270	53	8,1
RCW-5,5-100, RCW-5,5-270, RCW-5,5-500	71,5	11
RCW-7,5-270, RCW-7,5-500	105	15
RCW-11-270, RCW-11-500	150	22

3.2 Перед началом работы и ежедневно

Убедитесь в целостности сетевого кабеля компрессора.

Проверьте уровень масла по смотровому стеклу (п.3.6). Долейте масла при необходимости (п. 4.3)

3.3 Запуск компрессора

Переведите реле давления из положения OFF в положение AUTO по часовой стрелке на 90 градусов.

Компрессор запущен.

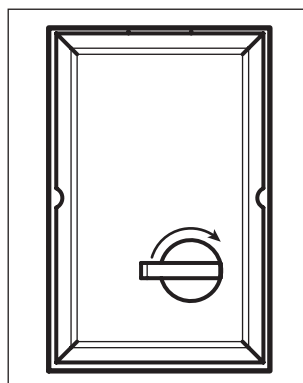


Рис. 3.1

3.4 Останов компрессора

Переведите реле давления из положения AUTO в положение OFF против часовой стрелки на 90 градусов.

Компрессор остановлен

3.5 По окончании работы

Произведите останов компрессора, отключите вилку сетевого кабеля компрессора от розетки 380 В и откройте кран шаровый выпуска воздуха для сброса давления в ресивере.

3.6 Проверка уровня масла компрессора

Уровень масла в компрессоре проверяется при остановленном компрессоре визуальным осмотром смотрового стекла уровня масла. Смотровое стекло располагается в нижней части поршневого блока.

Если уровень масла находится между отметками H и L, уровень масла компрессора в норме.

Если уровень масла ниже отметки L, необходимо произвести долив масла (п. 4.3).

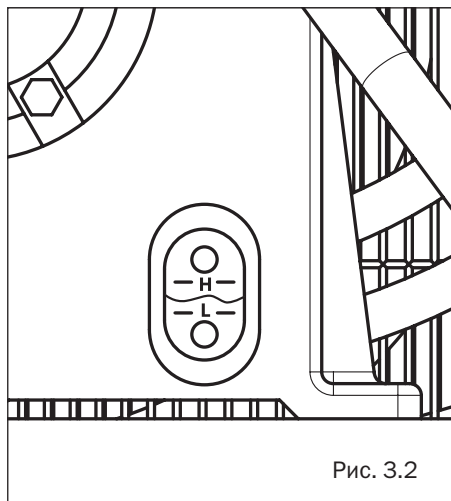
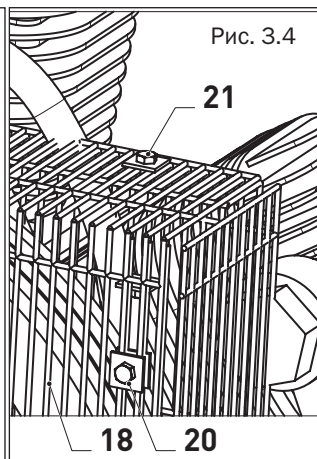
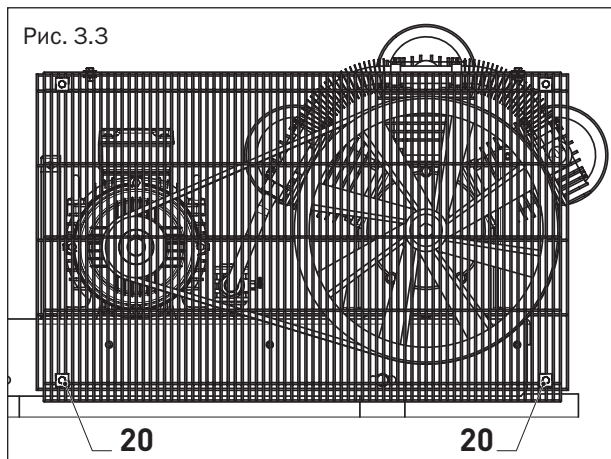


Рис. 3.2

3.7 Проверка ремня привода

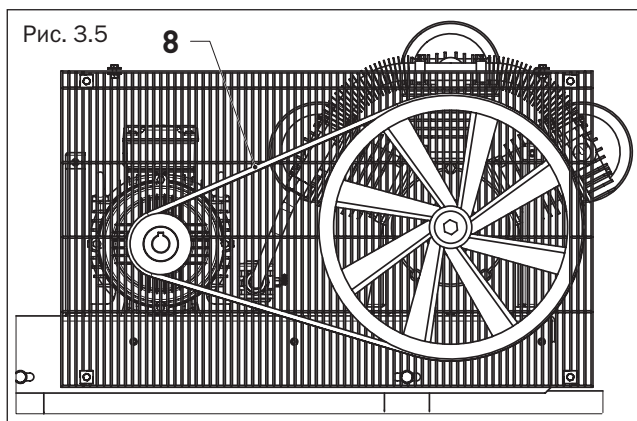
Чтобы получить доступ к ремню, выполните следующие действия:

1. Остановите компрессор.



2. Открутите 4 болта (20) решетки (18) при помощи ключа гаечного 10, удалите фиксаторы решетки (21) и снимите ее.

3. Осмотрите ремни на наличие износа боковых граней и наличие трещин. Если ремни имеют повреждения, замените ремни.



4. При помощи приборов контроля натяжения ремней проверьте силу натяжения ремней компрессора. Значения силы натяжения ремней для различных моделей приведены в таблице.

Модель компрессора	Сила натяжения ремней, Н
RCW-3-100	250
RCW-3-270	250
RCW-4-100	150
RCW-4-270	150
RCW-5,5-100	250

RCW-5,5-270	250
RCW-5,5-500	250
RCW-7,5-270	250
RCW-7,5-500	250
RCW-11-270	250
RCW-11-500	250

5. Установите решетку на место и закрутите болты и установите фиксаторы, снятые в п. 2.

4. Техническое обслуживание

4.1 График техобслуживания

Условные сокращения: проверка – П, очистка – О, замена – З, слив – С

График техобслуживания	Перед 1 пробным пуском	1 раз в неделю	Интервал в часах работы			Годы	Раздел РЭ
			ТО-0	ТО-1	ТО-2		
			100	500	3500		
Уровень масла компрессора		П					
Масло компрессорное			З	З	З		4.3
Сменный фильтр воздушный компрессора*			П/О	З			4.4
Ремень привода			П		З	З	, 4.5
Конденсат в ресивере	С						-

*Интервал необходимо сократить при работе в пыльной среде.

ТО-0, ТО-1, ТО-2 необходимо проводить либо по интервалу в часах работы, либо 1 раз в год, в зависимости от того, что наступит раньше.

Состав комплектов ТО (артикулы комплектующих для заказа)

Артикул	Наименование	ТО-0	ТО-1	ТО-2	1 год
-	Масло компрессорное Comprac RecLub (для моделей RCW-3-х, RCW-4-х, RCW-5,5-х)	1,5 л	1,5 л	1,5 л	
-	Масло компрессорное Comprac RecLub (для моделей RCW-7,5-х, RCW-11-х)	2 л	2 л	2 л	
26060316	Фильтрующий элемент для корпуса ф130 (для моделей RCW-3-х, RCW-5,5-х)		2		
26060316	Фильтрующий элемент для корпуса ф130 (для моделей RCW-4-х)		3		
26060319	Фильтрующий элемент для корпуса ф150 (для моделей RCW-7,5-х, RCW-11-х)		2		
21630001	Ремень, для моделей RCW-3-х			2	2
21630002	Ремень, для моделей RCW-4-х			2	2
21630005	Ремень, для модели RCW-5,5-100			2	2
21630003	Ремень, для моделей RCW-5,5-270, RCW-5,5-500			2	2
21630004	Ремень, для моделей RCW-7,5-х			2	2
21630004	Ремень, для моделей RCW-11-х			3	3

4.2 Смазочные масла

Для применения в компрессоре RECOM одобрено масло Comprac RecLub. RecLub – это универсальное минеральное масло для поршневых компрессоров. Поставляется объемом 1 л, 2 л, 5 л и 10 л.

Запрещается смешивать синтетические и минеральные масла. Запрещается смешивать масла разных торговых марок.

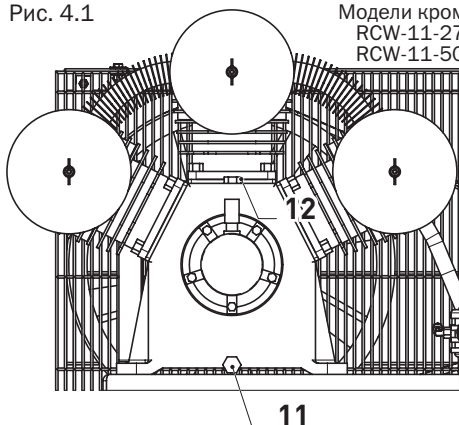
4.3 Замена масла компрессора

Периодичность замены масла по графику техобслуживания рассчитана, исходя из температуры масла до 100 С и нормальных условий эксплуатации. Если эксплуатация происходит при высокой температуре окружающей среды, повышенной влажности и условиях сильно запыленной атмосферы, масло рекомендуется менять чаще. Последовательность замены:

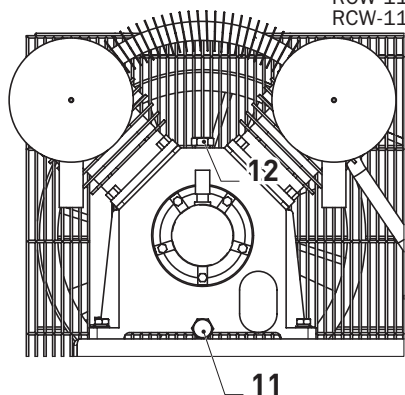
1. Остановите компрессор.

Рис. 4.1

Модели кроме
RCW-11-270
RCW-11-500



Модели
RCW-11-270
RCW-11-500



2. Стравите давление в системе, открыв кран шаровый выпуска воздуха.

3. Закройте кран шаровый выпуска воздуха.

4. Выкрутите пробку сливную (11) из поршневого блока при помощи ключа гаечного 17 и слейте масло в специальный резервуар. Не сливайте масло в окружающую среду, масло должно быть соответствующим образом утилизировано.

5. Вкрутите пробку сливную (11) в исходное положение.

6. Выкрутите пробку заливную (12) из поршневого блока при помощи ключа гаечного 17 (для всех моделей компрессоров, кроме RCW-11-270 и RCW-11-500) или рукой (для моделей RCW-11-270 и RCW-11-500) и залейте от 1,5 до 2 л масла Comrag RecLab в зависимости от модели компрессора - см. таблицу.

Модель компрессора	Объем масла, л
RCW-3-100	1,5
RCW-3-270	1,5
RCW-4-100	1,5
RCW-4-270	1,5
RCW-5,5-100	1,5
RCW-5,5-270	1,5
RCW-5,5-500	1,5
RCW-7,5-270	2
RCW-7,5-500	2
RCW-11-270	2
RCW-11-500	2

7. Вкрутите пробку заливную (12) в исходное положение.

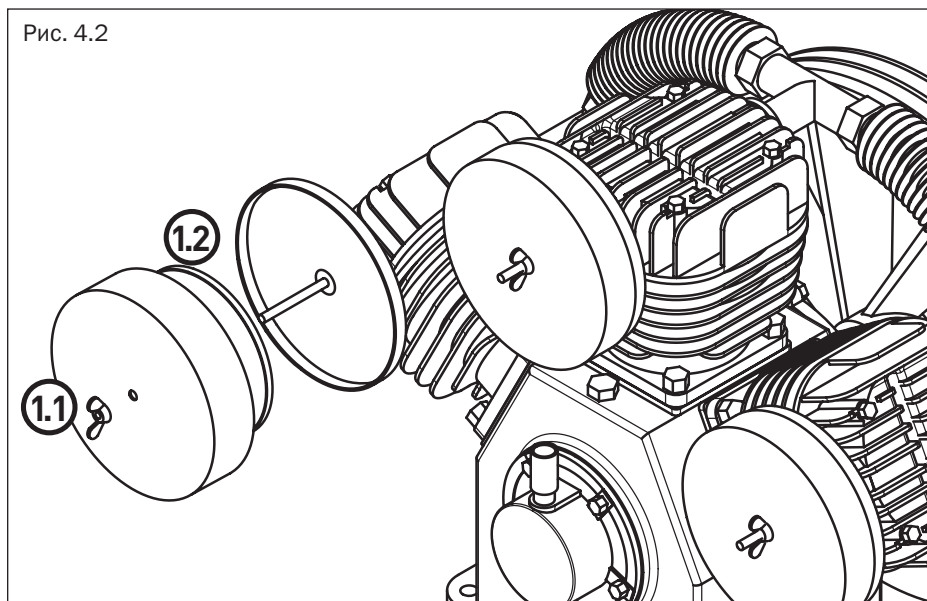
8. Остановите компрессор и оставьте на холостом ходу на несколько минут с тем, чтобы произошла циркуляция масла и извлечение воздуха из масляной системы.

9. Ожидайте несколько минут, пока масло не осядет и не стравится внутреннее давление. Вывинтите пробку заливную и добавьте масло, если необходимо, до попадания между отметками H и L. Установите пробку заливную в исходное положение и закрутите ее.

Если требуется осуществить только долив масла, выполните действия по пп. - , , 7.

4.4 Замена фильтров воздушных блока поршневого

1. Замена фильтров воздушных для моделей RCW-4-100, RCW-4-270, производится следующим образом (показано на примере модели RCW-4-270):



1.1 Рукой открутите гайку барашковую, удерживающую крышку фильтра, и удалите гайку. Повторите действие для других экземпляров фильтров.

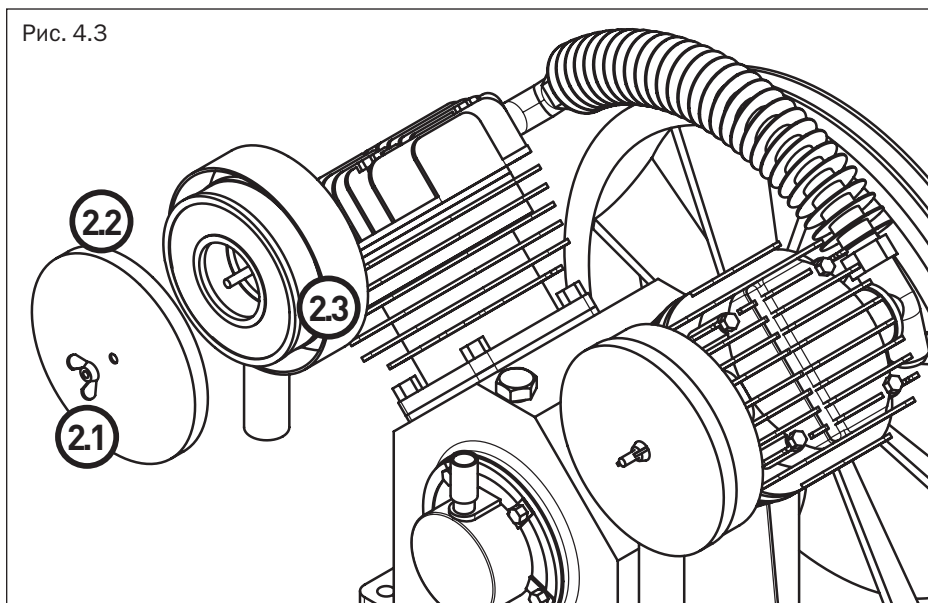
1.2 Снимите крышки фильтров вместе с фильтрами.

1.3 Извлеките загрязненные фильтры из крышек и установите на их место новые фильтры.

1.4 Установите крышки фильтров вместе с фильтрами на место и закрепите гайками, снятыми в п. 1.1.

2. Замена фильтров воздушных для моделей RCW-3-100, RCW-3-270, RCW-5,5-270, RCW-5,5-500, RCW-7,5-270 и RCW-7,5-500 (показано на примере RCW-3-270) производится следующим образом:

2.1 Рукой открутите гайку барашковую, удерживающую крышку фильтра, удалите гайку.



2.2 Снимите крышку фильтра. Повторите действие для других экземпляров фильтров.

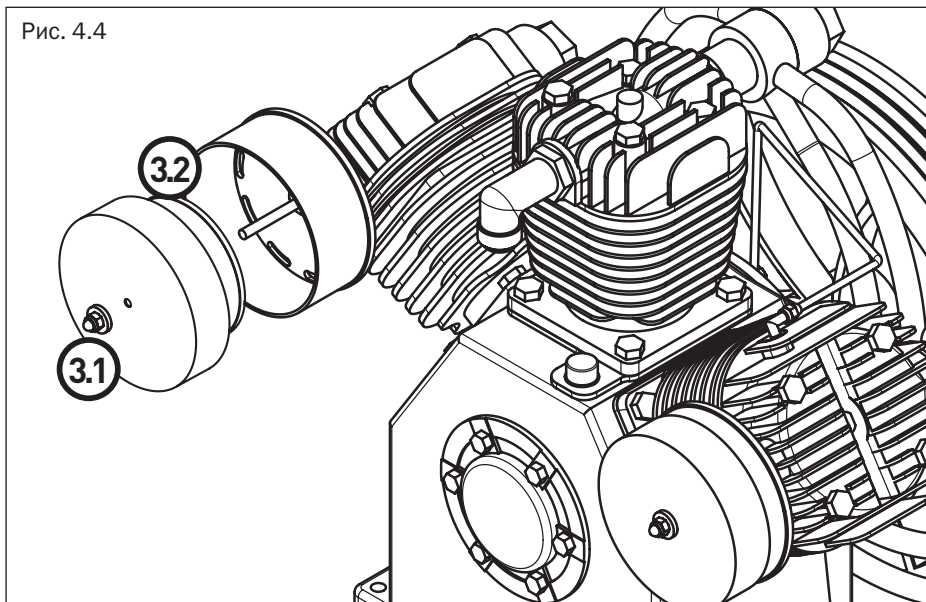
2.3 Извлеките загрязненные фильтры.

2.4 Установите на их место новые фильтры.

2.5 Установите крышки фильтров на место и закрепите гайками, снятыми в п. .

3. Замена фильтров воздушных для моделей RCW-11-270 и RCW-11-500 производится следующим образом (показано на примере модели RCW-11-500):

3.1 При помощи ключа гаечного 18 открутите гайки на крышках воздушных фильтров.



3.2 Снимите крышки фильтров вместе с фильтрами.

3.3 Извлеките загрязненные фильтры из крышек и установите на их место новые фильтры.

3.4 Установите крышки фильтра с фильтрами на место и закрепите гайками, снятыми в п.3.1.

4.5 Замена ремня привода

Чтобы произвести замену ремня привода, выполните следующие действия:

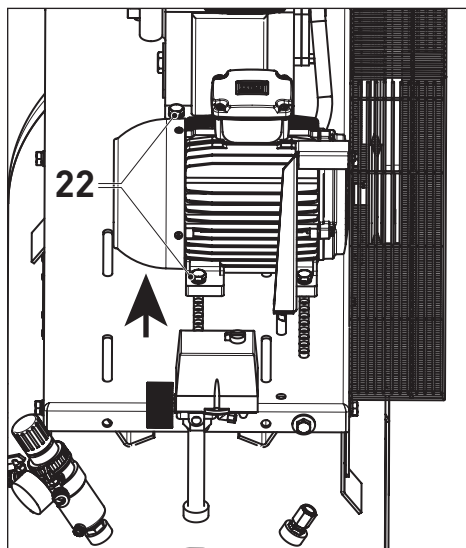


Рис. 4.5

1. Снимите решетку (п.).
2. Ослабьте по 2 болта двигателя (22) и по 2 соответствующие гайки с левой и с правой стороны двигателя при помощи ключа гаечного 17.
3. Сдвиньте электродвигатель в сторону поршневого блока настолько, чтобы натяжение ремня ослабло.
4. Снимите старый ремень (8) с маховика поршневого блока и шкива электродвигателя.

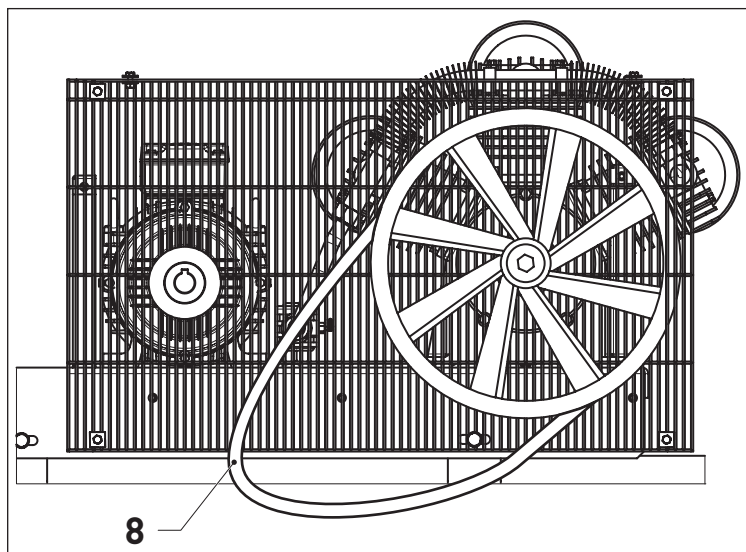


Рис. 4.6

5. Установите новый ремень (8).

6. После установки нового ремня произведите натяжку ремня с соответствующим усилием:

Модель компрессора	Сила натяжения ремней, Н
RCW-3-100	300
RCW-3-270	300
RCW-4-100	200
RCW-4-270	200
RCW-5,5-100	300
RCW-5,5-270	300
RCW-5,5-500	300
RCW-7,5-270	300
RCW-7,5-500	300
RCW-11-270	300
RCW-11-500	300

7. Установите решетку на место (п.).

8. Через 4 ч работы компрессора проверьте натяжку ремня в соответствии с п. .

5. Устранение неисправностей компрессора

Проблема	Возможные неисправности	Корректирующие действия
Утечка воздуха в клапане воздушном реле давления	Кран выпускной на ресивере открыт	Закрывать кран
	Неправильно установлена трубка, соединенная с реле давления	Установить трубку в правильное положение
Низкая производительность компрессора, низкое давление сжатого воздуха	Потребление сжатого воздуха слишком велико	Снизить потребление сжатого воздуха
	Утечки в уплотнительных прокладках и шлангах	Произвести замену прокладок
	Фильтры воздушные засорены	Произвести очистку или замену фильтров
	Натяжение ремня недостаточно	Проверить натяжение ремня
Неравномерный нагрев двигателя или компрессора	Слабое воздушное охлаждение	Произвести проверку температуры и вентиляции в помещении, где установлен компрессор
	Смазка недостаточна	Долить или заменить масло в компрессоре
Компрессор после включения сразу же останавливается	Блок поршневой при пуске под давлением	Сбросить давление
	Недостаточная мощность двигателя	Проверить работу двигателя
	Неправильно выбранная марка масла или недостаточная смазка	Долить или заменить масло в компрессоре
Компрессор останавливается самопроизвольно во время работы	Срабатывает защита двигателя	Проверить параметры электросети
	Неисправность электродвигателя	Обратиться в сервис-центр
Наличие следов масла в воздушных каналах	Компоненты маслосистемы изношены	Обратиться в сервис-центр
	Избыточное количество масла в системе	Проверить уровень масла
Кран сливной на ресивере не пропускает конденсат	Кран загрязнен с внутренней стороны	Очистить кран

6. Хранение

Хранение компрессора допускается при температуре выше 0 °С в сухом и теплом помещении.

7. Утилизация

При утилизации компрессора необходимо удалить все загрязненные фильтры и эксплуатационные материалы.

Последовательность передачи на утилизацию:

1. Слить масло из компрессора.
2. Удалить загрязненные фильтры.
3. Передать компрессор специализированному предприятию по утилизации.

8. Технические характеристики

8.1 Шильдик

Рис. 8.1

○	установка компрессорная поршневая Recom	○
		
ТУ 3643-005-37277601-2013		
Сделано в России		
		
модель _____		
зав. № _____		
~380 В/50 Гц/ _____ кВт		
давление _____ МПа		
произв. _____ м ³ /мин		
масса _____ кг		
дата выпуска <input type="text"/>		
○	www.comprag.com	○

8.2 Моменты затяжки резьбовых соединений

Для болтов и гаек, класс прочности 8.8

Резьба	M6	M8	M10	M12	M14
Нм	9	23	46	80	125

9. Спецификация

9.1 Компрессор RCW

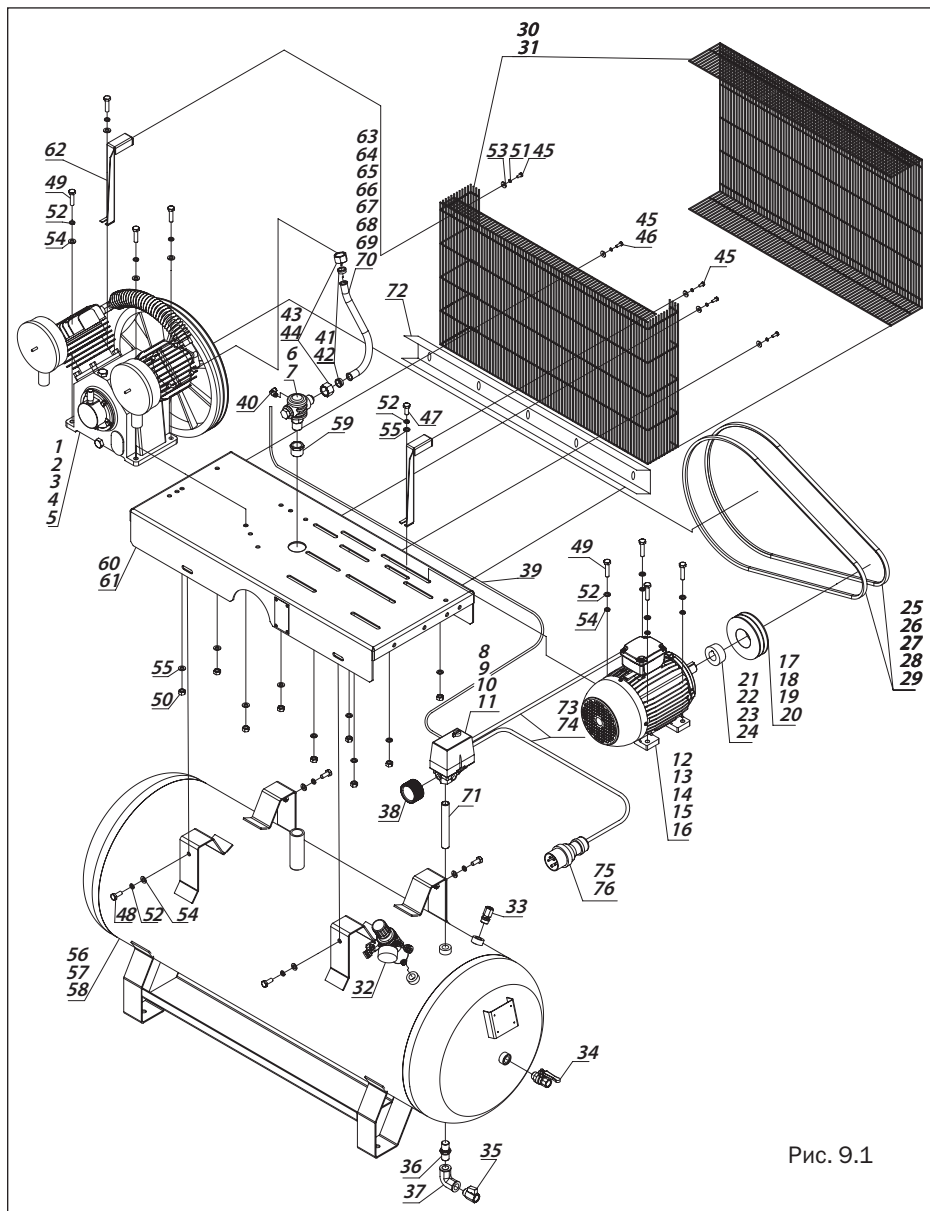


Рис. 9.1

№ поз.	Артикул	Наименование	Кол-во RCW-3-100	Кол-во RCW-3-270	Кол-во RCW-4-100	Кол-во RCW-4-270	Кол-во RCW-5,5-100	Кол-во RCW-5,5-270	Кол-во RCW-5,5-500	Кол-во RCW-7,5-270	Кол-во RCW-7,5-500	Кол-во RCW-11-270	Кол-во RCW-11-500
1	26010003	Блок поршневой	1	1	-	-	-	-	-	-	-	-	-
2	26010004	Блок поршневой	-	-	1	1	-	-	-	-	-	-	-
3	26010005	Блок поршневой	-	-	-	-	1	1	1	-	-	-	-
4	26010006	Блок поршневой	-	-	-	-	-	-	-	1	1	-	-
5	26010007	Блок поршневой	-	-	-	-	-	-	-	-	-	1	1
6	26030002	Клапан обратный	1	1	1	1	1	1	1	1	1	-	-
7	26030001	Клапан обратный	-	-	-	-	-	-	-	-	-	1	1
8	26020005	Реле давления	1	1	1	1	-	-	-	-	-	-	-
9	26020006	Реле давления	-	-	-	-	1	1	1	-	-	-	-
10	26020007	Реле давления	-	-	-	-	-	-	-	1	1	-	-
11	26020008	Реле давления	-	-	-	-	-	-	-	-	-	1	1
12	31110001	Двигатель электрический	1	1	-	-	-	-	-	-	-	-	-
13	31110002	Двигатель электрический	-	-	1	1	-	-	-	-	-	-	-
14	31110003	Двигатель электрический	-	-	-	-	1	1	1	-	-	-	-
15	31110004	Двигатель электрический	-	-	-	-	-	-	-	1	1	-	-
16	31110005	Двигатель электрический	-	-	-	-	-	-	-	-	-	1	1
17	21122016	Шкив	-	-	1	1	-	-	-	-	-	-	-
18	21121003	Шкив	1	1	-	-	1	1	1	-	-	-	-
19	21122017	Шкив	-	-	-	-	-	-	-	1	1	-	-
20	21121012	Шкив	-	-	-	-	-	-	-	-	-	1	1
21	21130017	Втулка	1	1	1	1	-	-	-	-	-	-	-

№ поз.	Артикул	Наименование	Кол-во RCW-3-100	Кол-во RCW-3-270	Кол-во RCW-4-100	Кол-во RCW-4-270	Кол-во RCW-5-100	Кол-во RCW-5,5-270	Кол-во RCW-5,5-500	Кол-во RCW-7,5-270	Кол-во RCW-7,5-500	Кол-во RCW-11-270	Кол-во RCW-11-500
22	21130025	Втулка	-	-	-	-	1	1	1	-	-	-	-
23	21130005	Втулка	-	-	-	-	-	-	-	1	1	-	-
24	21130018	Втулка	-	-	-	-	-	-	-	-	-	1	1
25	21630001	Ремень	2	2	-	-	-	-	-	-	-	-	-
26	21630002	Ремень	-	-	2	2	-	-	-	-	-	-	-
27	21630005	Ремень	-	-	-	-	2	-	-	-	-	-	-
28	21630003	Ремень	-	-	-	-	-	2	-	-	-	-	-
29	21630004	Ремень	-	-	-	-	-	-	2	-	2	-	3
30	26040001	Решетка	1	1	1	1	-	-	-	-	-	-	-
31	26040002	Решетка	-	-	-	-	1	1	1	1	1	1	1
32	26050001	Фильтр-регулятор	1	1	1	1	1	1	1	1	1	1	1
33	21720004	Клапан предохранительный	1	1	1	1	1	1	1	1	1	1	1
34	52140003	Кран шаровый	1	1	1	1	1	1	1	1	1	1	1
35	52140004	Кран шаровый	1	1	1	1	1	1	1	1	1	1	1
36	51400006	Фитинг	1	1	1	1	1	1	1	1	1	1	1
37	51800001	Угольник	1	1	1	1	1	1	1	1	1	1	1
38	51202004	Манометр	1	1	1	1	1	1	1	1	1	1	1
39	41102002	Рукав	1	1	1	1	1	1	1	1	1	1	1
40	51100013	Фитинг	1	1	1	1	1	1	1	1	1	1	1
41	67000011	Кольцо уплотнительное	2	2	2	2	2	2	2	2	2	2	2
42	67000012	Кольцо уплотнительное	-	-	-	-	-	-	-	-	-	2	2

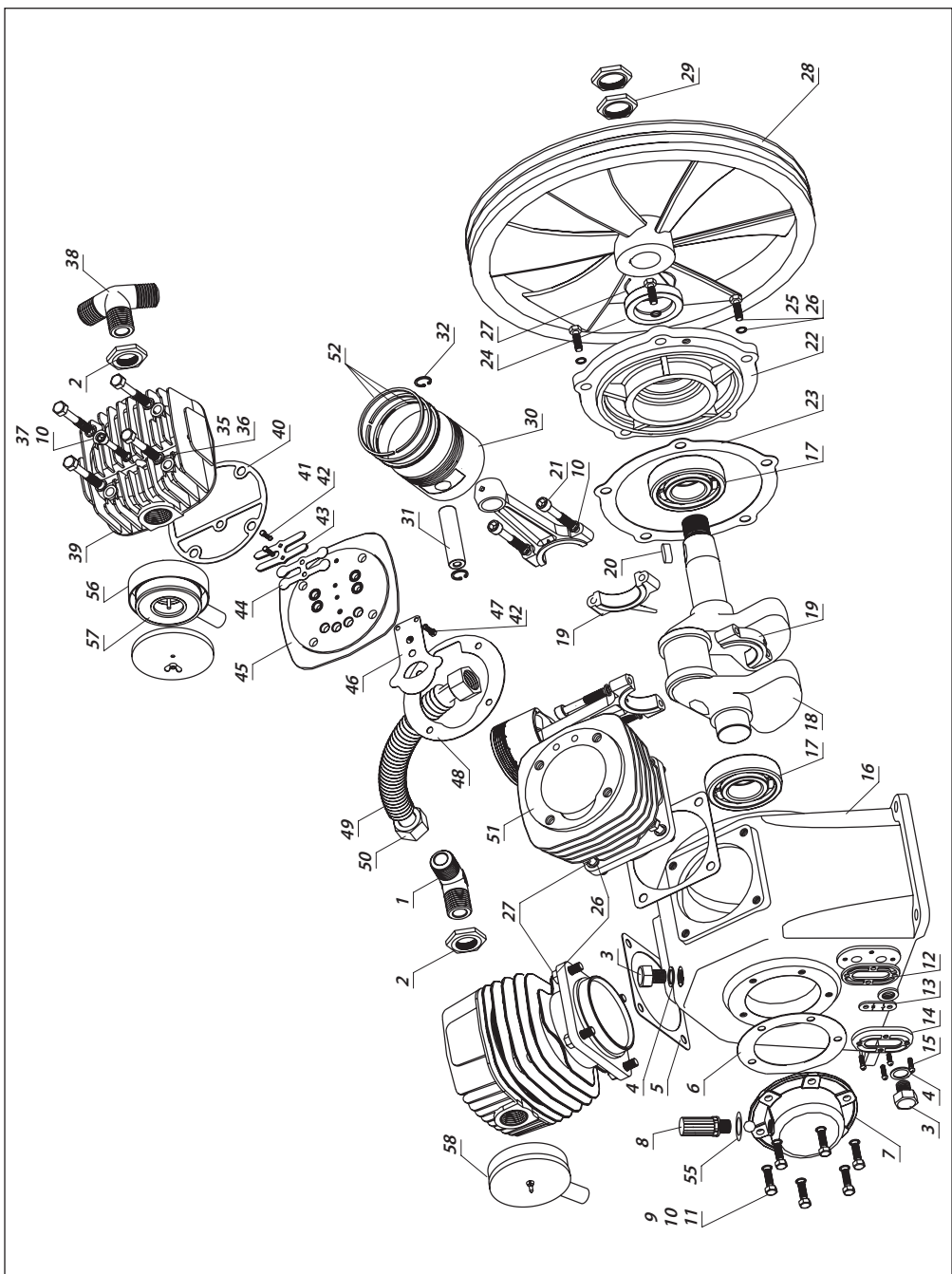
№ поз.	Артикул	Наименование	Кол-во RCW-3-100	Кол-во RCW-3-270	Кол-во RCW-4-100	Кол-во RCW-4-270	Кол-во RCW-5-100	Кол-во RCW-5,5-270	Кол-во RCW-5,5-500	Кол-во RCW-7,5-270	Кол-во RCW-7,5-500	Кол-во RCW-11-270	Кол-во RCW-11-500
43	60400001	Гайка накидная	2	2	2	2	2	2	2	2	2	-	-
44	60400002	Гайка накидная	-	-	-	-	-	-	-	-	-	2	2
45	61110616	Болт	2	5	2	5	2	6	6	6	6	6	6
46	61110635	Болт	4	-	4	-	4	-	-	-	-	-	-
47	61111030	Болт	1	1	1	1	1	1	1	1	1	1	1
48	61111035	Болт	4	4	4	4	4	4	4	4	4	4	4
49	61111045	Болт	8	8	8	8	8	8	8	8	8	8	8
50	63110010	Гайка	8	9	8	9	8	9	9	9	9	9	9
51	64310006	Шайба-гровер	6	5	6	5	6	6	6	6	6	6	6
52	64310010	Шайба-гровер	13	13	13	13	13	13	13	13	13	13	13
53	64210006	Шайба	6	5	6	5	6	6	6	6	6	6	6
54	64210010	Шайба	12	12	12	12	12	12	12	12	12	12	12
55	64110010	Шайба	10	10	10	10	10	10	10	10	10	10	10
56	15112001	Ресивер	1	-	1	-	1	-	-	-	-	-	-
57	15112002	Ресивер	-	1	-	1	-	1	-	1	-	1	-
58	15112003	Ресивер	-	-	-	-	-	-	1	-	1	-	1
59	52130003	Футорка	1	1	1	1	1	1	1	1	1	-	-
60	80200011	База моторная	1	-	1	-	1	-	-	-	-	-	-
61	80200012	База моторная	-	1	-	1	-	1	1	1	1	1	1
62	80600009	Кронштейн решётки	1	1	1	1	1	1	1	1	1	1	1
63	82000002	Трубка воздухоподная	1	-	-	-	-	-	-	-	-	-	-

№ поз.	Артикул	Наименование	Кол-во RCW-3-100	Кол-во RCW-3-270	Кол-во RCW-4-100	Кол-во RCW-4-270	Кол-во RCW-5,5-100	Кол-во RCW-5,5-270	Кол-во RCW-5,5-500	Кол-во RCW-7,5-270	Кол-во RCW-7,5-500	Кол-во RCW-11-270	Кол-во RCW-11-500
64	82000003	Трубка воздуховодная	-	-	1	-	-	-	-	-	-	-	-
65	82000004	Трубка воздуховодная	-	-	-	-	1	-	-	-	-	-	-
66	82000005	Трубка воздуховодная	-	1	-	-	-	-	-	-	-	-	-
67	82000006	Трубка воздуховодная	-	-	-	1	-	-	-	-	-	-	-
68	82000007	Трубка воздуховодная	-	-	-	-	-	1	-	-	-	-	-
69	82000008	Трубка воздуховодная	-	-	-	-	-	-	-	1	-	-	-
70	82000009	Трубка воздуховодная	-	-	-	-	-	-	-	-	-	1	1
71	82000012	Трубка соединительная	1	1	1	1	1	1	1	1	1	1	1
72	82100001	Упор	1	-	1	-	1	-	-	-	-	-	-
73	34020013	Кабель	1	1	1	1	1	1	1	-	-	-	-
74	34020012	Кабель	-	-	-	-	-	-	-	1	1	1	1
75	33270002	Вилка	1	1	1	1	1	1	1	-	-	-	-
76	33270003	Вилка	-	-	-	-	-	-	-	1	1	1	1

9.2 Блок поршневой 26 010 003

№ поз.	Артикул	Наименование	Кол-во
1	26060159	Колено 3/4" ПП L=75	1
2	26060131	Гайка низкая 3/4"	2
3	26060230	Пробка масляная М16х1,5 (сталь)	2
4	26060304	Шайба уплотнительная пробки масляной 16мм (сталь-резина)	2
5	26060254	Прокладка цилиндра Ø 90	2
6	26060239	Прокладка крышки подшипника заднего 307	1
7	26060195	Крышка подшипника заднего 307	1
8	26060259	Сапун 3/8"	1
9	26060305	Шар ф10мм (сталь)	1
10	26060292	Шайба плоская 8мм (медь)	2
10	26060293	Шайба плоская 8мм (сталь)	5
10	26060300	Шайба пружинная 8мм	4
11	26060119	Винт М8х20	5
12	26060251	Прокладка указателя уровня масла	1
13	26060277	Указатель уровня масла	1
14	26060265	Стекло указателя уровня масла	1
15	26060118	Винт М5х14	4
16	26060141	Картер 80-2	1
17	26060220	Подшипник 307	2
18	26060101	Вал коленчатый 80-2/40,0	1
19	26060306	Шатун 40,0х20 гильзованный (безвкладышный) с крышкой-разбрызгивателем	2
20	26060313	Шпонка 8х28мм	1
21	26060108	Винт крышки шатуна М8х50	4
22	26060242	Прокладка крышки подшипника переднего 307	1
23	26060198	Крышка подшипника переднего 307	1
24	26060201	Манжета воротниковая 35х56х12	1
25	26060294	Шайба пружинная 10мм	13
26	26060110	Винт М10х25	13
27	26060170	Кольцо запорное Ø 56	1
28	26060204	Маховик 2-410х34х8	1
29	26060127	Гайка М24 низкая	2
30	26060225	Поршень 80х20	2
31	26060212	Палец поршневой L=65 Ø 20	2

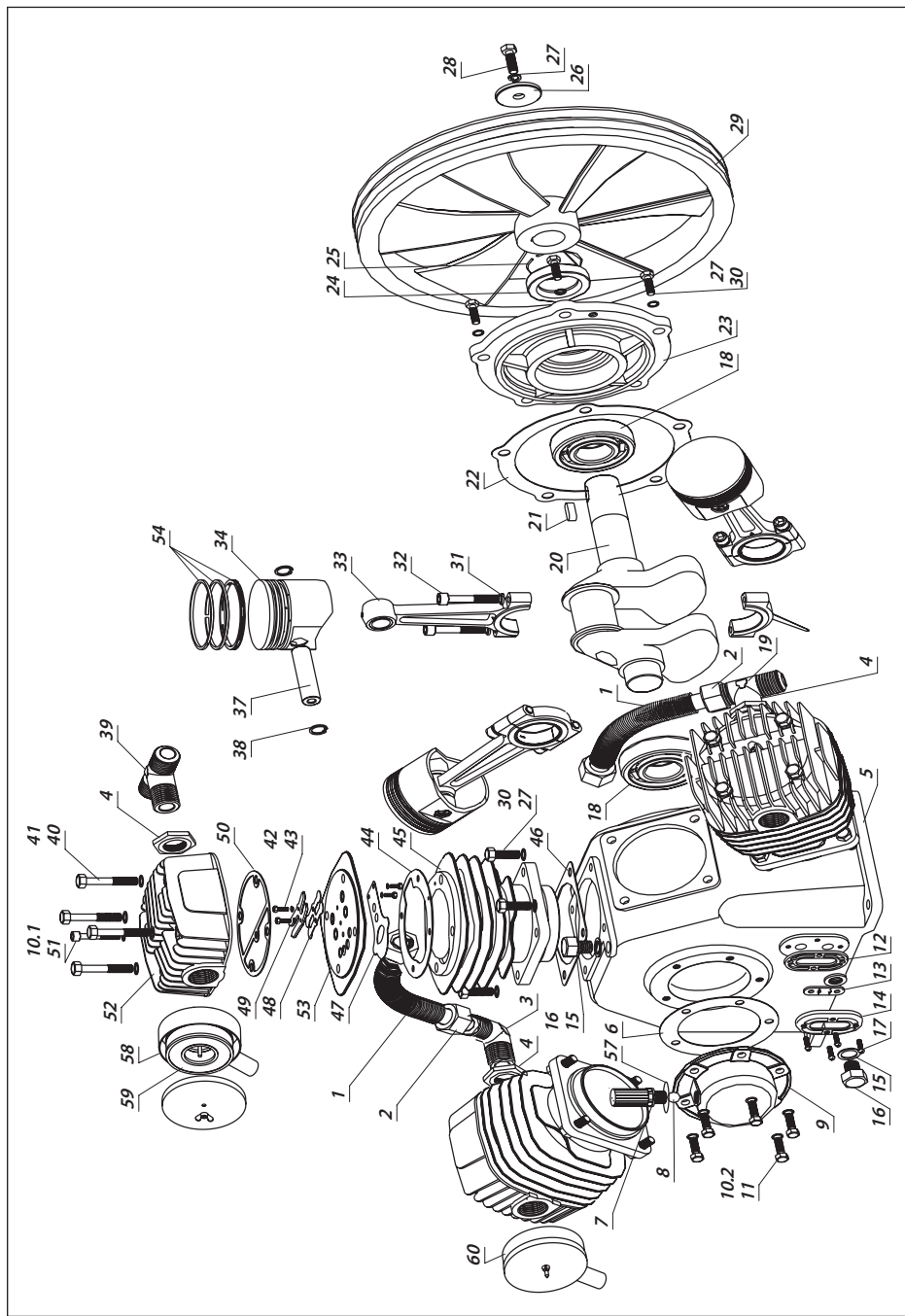
32	26060168	Кольцо стопорное Ø 20	4
35	26060289	Шайба плоская 10мм (медь)	8
36	26060105	Винт головки цилиндра M10x90	8
37	26060121	Винт площадки клапанной M8x45	2
38	26060271	Тройник угловой 3/4" ППП L=55	1
39	26060137	Головка цилиндра 80	2
40	26060237	Прокладка головки цилиндра 80	2
41, 47	26060117	Винт M5x12	4, 4
42	26060299	Шайба пружинная 5мм	8
43	26060281	Успокоитель клапана выпускного 80/90	2
44	26060152	Клапан выпускной 80/90	2
45	26060217	Площадка клапанная 80	2
46	26060147	Клапан впускной 80	2
48	26060248	Прокладка площадки клапанной 80	2
49	26060274	Труба медная оребренная длина 300мм	1
50	26060128	Гайка накидная 3/4"	2
51	26060285	Цилиндр с оребренным корпусом 80/105	2
52	26060165	Кольца поршневые Ø 80 комплект	2
55	26060193	Кольцо уплотнительное сапуна ф15мм (резина)	1
56	26060315	Корпус фильтра Ø 130	2
57	26060316	Фильтрующий элемент для корпуса Ø 130	2
58	26060317	Фильтр Ø 130 в сборе	2



9.3 Блок поршневой 26 010 004

№ поз.	Артикул	Наименование	Кол-во
1	26060272	Труба медная оребренная длина 220мм	2
2	26060128	Гайка накидная 3/4"	4
3	26060159	Колено 3/4" ПП L=75	1
4	26060131	Гайка низкая 3/4"	3
5	26060142	Картер 80-3	1
6	26060239	Прокладка крышки подшипника заднего 307	1
7	26060259	Сапун 3/8"	1
8	26060305	Шар Ø 10мм (сталь)	1
9	26060195	Крышка подшипника заднего 307	1
10.1	26060292	Шайба плоская 8мм (медь)	3
10.2	26060293	Шайба плоская 8мм (сталь)	5
11	26060119	Винт М8х20	5
12	26060251	Прокладка указателя уровня масла	1
13	26060277	Указатель уровня масла	1
14	26060265	Стекло указателя уровня масла	1
15	26060304	Шайба уплотнительная пробки масляной 16мм (сталь-резина)	2
16	26060230	Пробка масляная М16х1,5 (сталь)	2
17	26060118	Винт М5х14	4
18	26060220	Подшипник 307	2
19	26060268	Тройник прямой 3/4" ППП L=35	1
20	26060102	Вал коленчатый 80-3/40,0	1
21	26060313	Шпонка 8х28мм	1
22	26060242	Прокладка крышки подшипника переднего 307	1
23	26060198	Крышка подшипника переднего 307	1
24	26060201	Манжета воротниковая 35х56х12	1
25	26060170	Кольцо запорное Ø 56	1
26	26060301	Шайба увеличенная 10,2мм	1
27	26060294	Шайба пружинная 10мм	18
28	26060111	Винт М10х40	1
29	26060204	Маховик 2-410х34х8	1
30	26060110	Винт М10х25	17
31	26060300	Шайба пружинная 8мм	6
32	26060108	Винт крышки шатуна М8х50	6

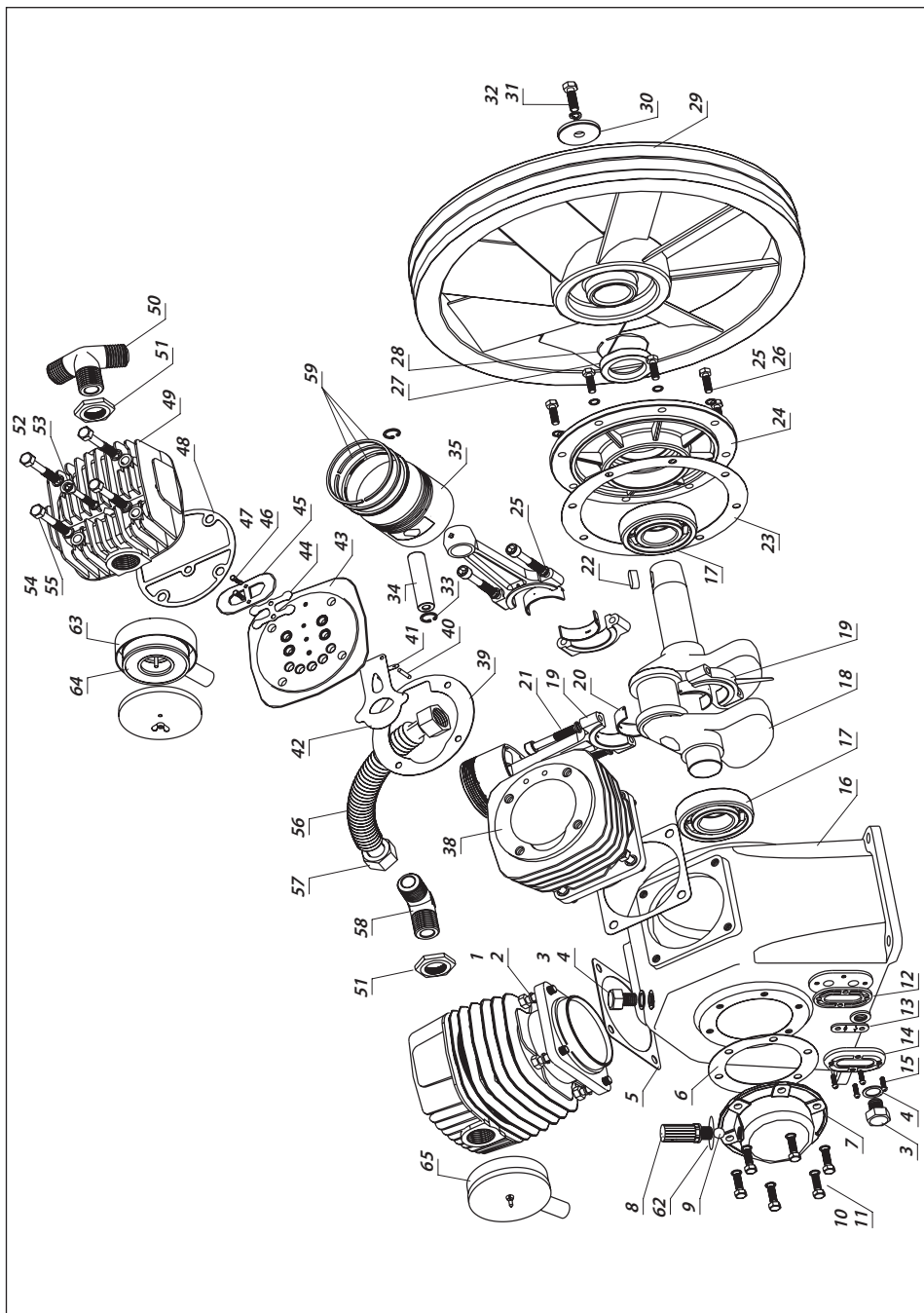
33	26060306	Шатун 40,0x20 гильзованный (безвкладышный) с крышкой-разбрызгивателем	3
34	26060225	Поршень 80x20	3
37	26060212	Палец поршневой L=65 Ø 20	3
38	26060168	Кольцо стопорное Ø 20	6
39	26060269	Тройник прямой 3/4" ППП L=55	1
40	26060289	Шайба плоская 10мм (медь)	12
41	26060105	Винт головки цилиндра M10x90	12
42	26060117	Винт M5x12	12
43	26060299	Шайба пружинная 5мм	12
44	26060248	Прокладка площадки клапанной 80	3
45	26060285	Цилиндр с оребренным корпусом 80/105	3
46	26060254	Прокладка цилиндра Ø 90	3
47	26060147	Клапан впускной 80	3
48	26060152	Клапан выпускной 80/90	3
49	26060281	Успокоитель клапана выпускного 80/90	3
50	26060237	Прокладка головки цилиндра 80	3
51	26060121	Винт площадки клапанной M8x45	3
52	26060137	Головка цилиндра 80	3
53	26060217	Площадка клапанная 80	3
54	26060165	Кольца поршневые Ø 80 комплект	3
57	26060193	Кольцо уплотнительное сапуна Ø 15мм (резина)	1
58	26060315	Корпус фильтра Ø 130	3
59	26060316	Фильтрующий элемент для корпуса Ø 130	3
60	26060317	Фильтр Ø 130 в сборе	3



9.4 Блок поршневой 26 010 005

№ поз.	Артикул	Наименование	Кол-во
1	26060110	Винт М10х25	8
2	26060294	Шайба пружинная 10мм	8
3	26060230	Пробка масляная М16х1,5 (сталь)	2
4	26060304	Шайба уплотнительная пробки масляной 16мм (сталь-резина)	2
5	26060252	Прокладка цилиндра Ø 105	2
6	26060240	Прокладка крышки подшипника заднего 308	1
7	26060196	Крышка подшипника заднего 308	1
8	26060259	Сапун 3/8"	1
9	26060305	Шар ф10мм (сталь)	1
10	26060293	Шайба плоская 8мм (сталь)	6
11	26060119	Винт М8х20	6
12	26060251	Прокладка указателя уровня масла	1
13	26060277	Указатель уровня масла	1
14	26060265	Стекло указателя уровня масла	1
15	26060118	Винт М5х14	4
16	26060143	Картер 90-2	1
17	26060221	Подшипник 308	2
18	26060103	Вал коленчатый 90-2/46,5	1
19	26060307	Шатун 46,5х20 гильзованный с крышкой-разбрызгивателем	2
20	26060122	Вкладыши шатунные комплект Ø 46,5	2
21	26060108	Винт крышки шатуна М8х50	4
22	26060311	Шпонка 10х28мм	1
23	26060243	Прокладка крышки подшипника переднего 308	1
24	26060199	Крышка подшипника переднего 308	1
25	26060300	Шайба пружинная 8мм	12
26	26060120	Винт М8х25	8
27	26060202	Манжета воротниковая 40х62х12	1
28	26060171	Кольцо запорное Ø 62	2
29	26060205	Маховик 2-460х39х10	1
30	26060302	Шайба увеличенная 12,2мм	1
31	26060295	Шайба пружинная 12мм	1
32	26060113	Винт М12х45	1
33	26060168	Кольцо стопорное Ø 20	4
34	26060213	Палец поршневой L=80 Ø 20	2

35	26060226	Поршень 90x20	2
38	26060286	Цилиндр с оребренным корпусом 90/105	2
39	26060249	Прокладка площадки клапанной 90	2
40	26060314	Штифт клапана впускного 3x12	4
41	26060148	Клапан впускной 90/95	2
42	26060267	Стопор клапана впускного 90/95	2
43	26060218	Площадка клапанная 90	2
44	26060152	Клапан выпускной 80/90	2
45	26060281	Успокоитель клапана выпускного 80/90	2
46	26060299	Шайба пружинная 5мм	4
47	26060117	Винт М5x12	4
48	26060238	Прокладка головки цилиндра 90/95	2
49	26060139	Головка цилиндра 90/95	2
50	26060271	Тройник угловой 3/4" ППП L=55	1
51	26060131	Гайка низкая 3/4"	2
52	26060121	Винт площадки клапанной М8x45	2
53	26060292	Шайба плоская 8мм (медь)	2
54	26060105	Винт головки цилиндра М10x90	8
55	26060289	Шайба плоская 10мм (медь)	8
56	26060275	Труба медная оребренная длина 360мм	1
57	26060128	Гайка накидная 3/4"	2
58	26060159	Колено 3/4" ПП L=75	1
59	26060166	Кольца поршневые Ø 90 комплект	2
62	26060193	Кольцо уплотнительное сапуна Ø 15мм (резина)	1
63	26060315	Корпус фильтра Ø 130	2
64	26060316	Фильтрующий элемент для корпуса Ø 130	2
65	26060317	Фильтр Ø 130 в сборе	2

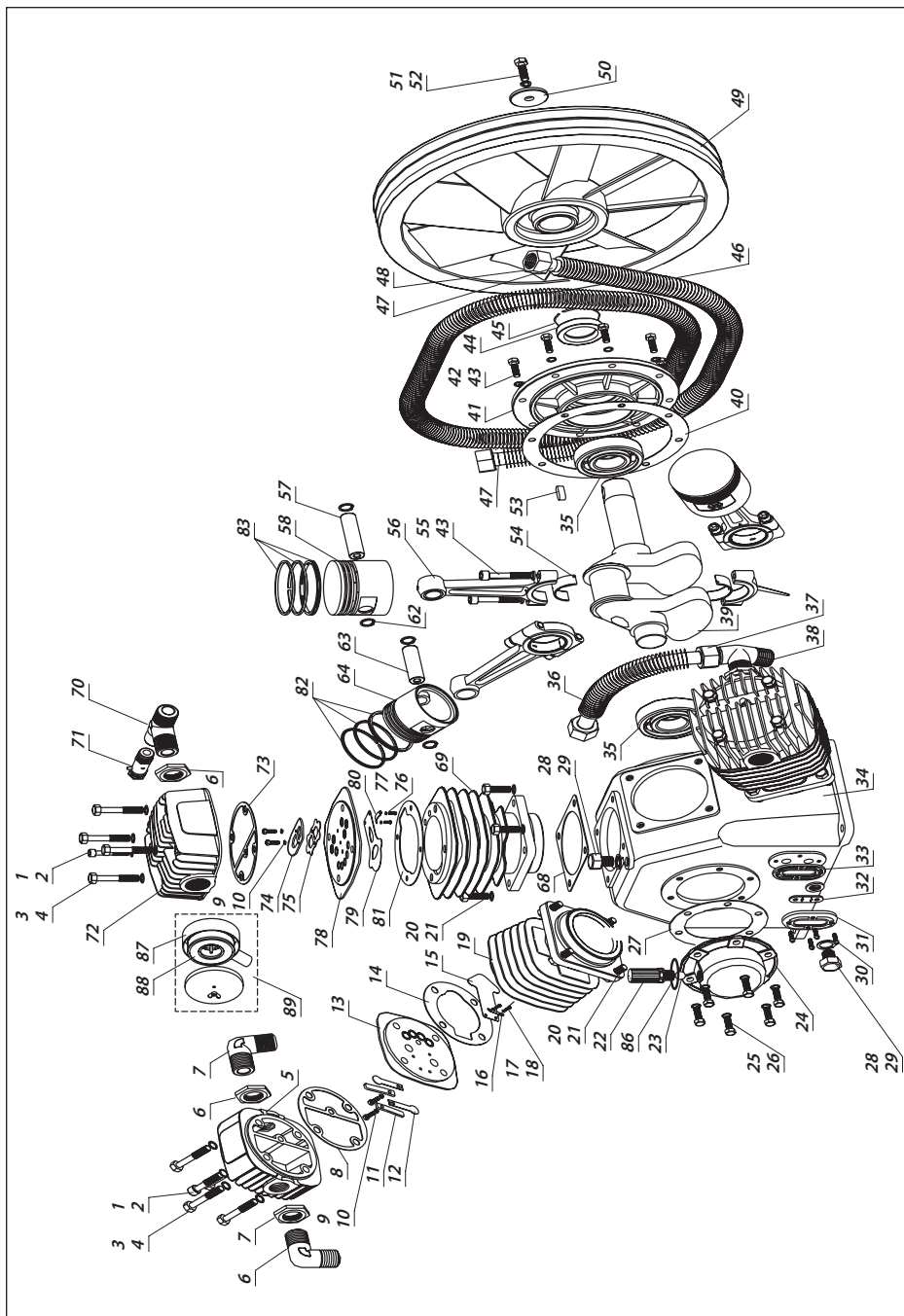


9.5 Блок поршневой 26 010 006

№ поз.	Артикул	Наименование	Кол-во
1	26060121	Винт площадки клапанной М8х45	3
2	26060292	Шайба плоская 8мм (медь)	3
3	26060105	Винт головки цилиндра М10х90	12
4	26060289	Шайба плоская 10мм (медь)	12
5	26060136	Головка цилиндра 75	1
6	26060131	Гайка низкая 3/4"	4
7	26060158	Колено 3/4" ПП L=35	2
8	26060236	Прокладка головки цилиндра 75	1
9	26060117	Винт М5х12	6
10	26060299	Шайба пружинная 5мм	6
11	26060280	Успокоитель клапана выпускного 75	2
12	26060151	Клапан выпускной 75	2
13	26060216	Площадка клапанная 75	1
14	26060247	Прокладка площадки клапанной 75	1
15	26060146	Клапан впускной 75	1
16	26060266	Стопор клапана впускного 75	1
17	26060116	Винт М4х12	2
18	26060298	Шайба пружинная 4мм	2
19	26060284	Цилиндр с оребренным корпусом 75/105	1
20	26060110	Винт М10х25	12
21	26060294	Шайба пружинная 10мм	12
22	26060259	Сапун 3/8"	1
23	26060305	Шар Ø 10мм (сталь)	1
24	26060196	Крышка подшипника заднего 308	1
25	26060119	Винт М8х20	6
26	26060293	Шайба плоская 8мм (сталь)	6
27	26060240	Прокладка крышки подшипника заднего 308	1
28	26060230	Пробка масляная М16х1,5 (сталь)	2
29	26060304	Шайба уплотнительная пробки масляной 16мм (сталь-резина)	2
30	26060118	Винт М5х14	4
31	26060265	Стекло указателя уровня масла	1
32	26060277	Указатель уровня масла	1
33	26060251	Прокладка указателя уровня масла	1

34	26060144	Картер 95-3	1
35	26060221	Подшипник 308	2
36	26060273	Труба медная оребренная длина 275мм	1
37, 48	26060128	Гайка накидная 3/4"	2, 2
38	26060271	Тройник угловой 3/4" ППП L=55	1
39	26060104	Вал коленчатый 95-3/46,5	1
40	26060243	Прокладка крышки подшипника переднего 308	1
41	26060199	Крышка подшипника переднего 308	1
42	26060120	Винт М8х25	8
43	26060300	Шайба пружинная 8мм	14
44	26060202	Манжета воротниковая 40х62х12	1
45	26060171	Кольцо запорное Ø 62	1
46	26060209	Охладитель промежуточный L=1950мм	1
47	26060194	Кольцо уплотнительное трубное 3/4"	2
49	26060205	Маховик 2-460х39х10	1
50	26060302	Шайба увеличенная 12,2мм	1
51	26060295	Шайба пружинная 12мм	1
52	26060113	Винт М12х45	1
53	26060311	Шпонка 10х28мм	1
54	26060122	Вкладыши шатунные комплект Ø 46,5	3
55	26060108	Винт крышки шатуна М8х50	6
56	26060307	Шатун 46,5х20 гильзованный с крышкой-разбрызгивателем	3
57	26060213	Палец поршневой L=80 Ø 20	2
58	26060228	Поршень 95х20	2
62	26060168	Кольцо стопорное Ø 20	6
63	26060211	Палец поршневой L=62 Ø 20	1
64	26060224	Поршень 75х20	1
68	26060252	Прокладка цилиндра Ø 105	3
69	26060288	Цилиндр с оребренным корпусом 95/105	2
70	26060270	Тройник прямой 3/4"х3/4"х1/4" ППМ L=55	1
71	26060156	Клапан предохранительный 4 КгС 1/4"	1
72	26060139	Головка цилиндра 90/95	2
73	26060238	Прокладка головки цилиндра 90/95	2
74	26060282	Успокоитель клапана выпускного 95	2
75	26060153	Клапан выпускной 95	2
76	26060115	Винт М3х12	4

77	26060297	Шайба пружинная 3мм	4
78	26060219	Площадка клапанная 95	2
79	26060148	Клапан впускной 90/95	2
80	26060267	Стопор клапана впускного 90/95	2
81	26060250	Прокладка площадки клапанной 95	2
82	26060164	Кольца поршневые Ø 75 комплект	1
83	26060167	Кольца поршневые Ø 95 комплект	2
86	26060193	Кольцо уплотнительное сапуна Ø 15мм (резина)	1
87	26060318	Корпус фильтра Ø 150	2
88	26060319	Фильтрующий элемент для корпуса Ø 150	2
89	26060320	Фильтр Ø 150 в сборе	2

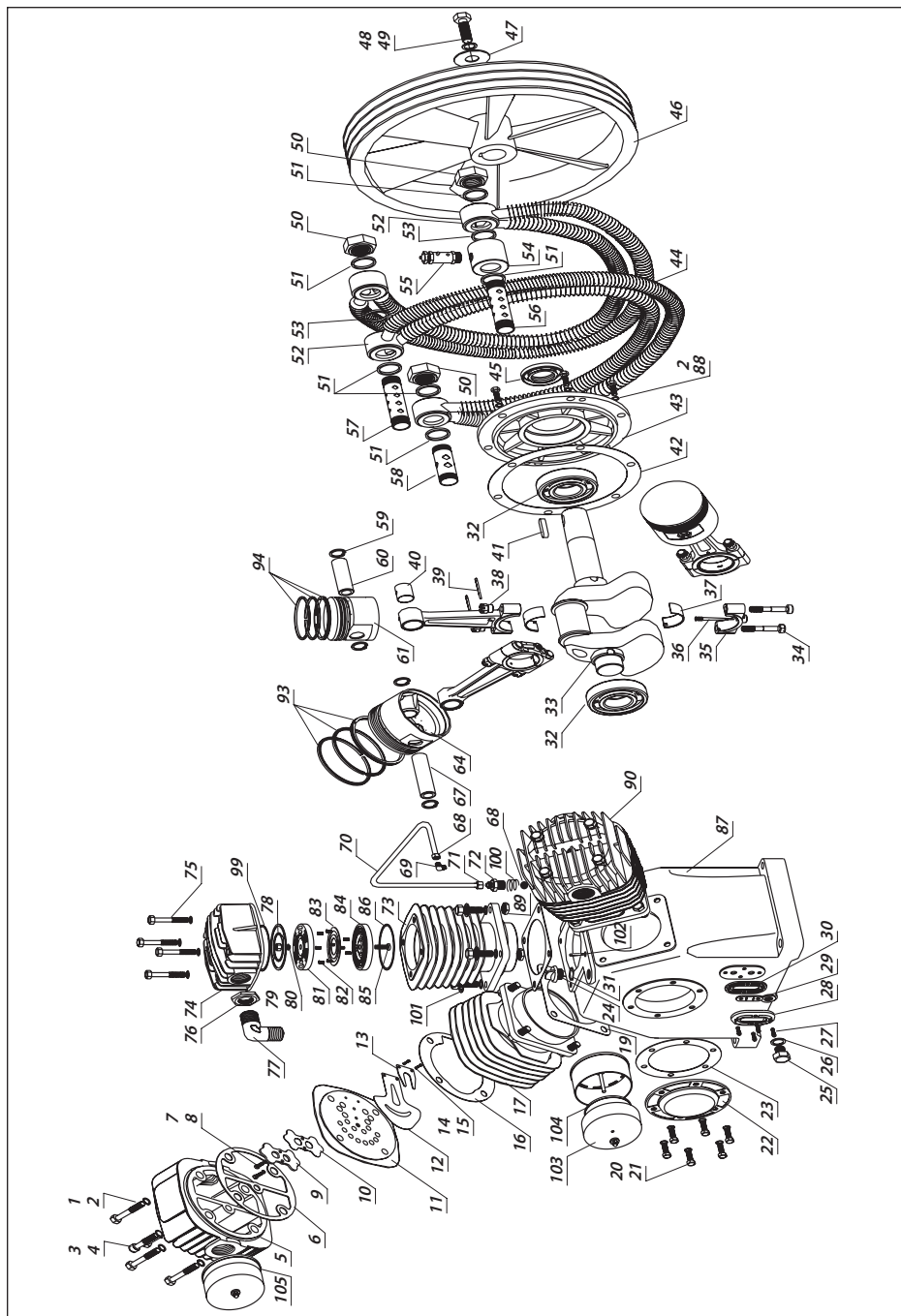


9.6 Блок поршневой 26 010 007

№ поз.	Артикул	Наименование	Кол-во
1	26060107	Винт головки цилиндра М12х90	10
2	26060295	Шайба пружинная 12мм	30
3	26060121	Винт площадки клапанной М8х45	2
4	26060292	Шайба плоская 8мм (медь)	2
5	26060134	Головка цилиндра 115	1
6	26060235	Прокладка головки цилиндра 115	2
7	26060117	Винт М5х12	4
8	26060299	Шайба пружинная 5мм	4
9	26060279	Успокоитель клапана выпускного 115	2
10	26060150	Клапан выпускной 115	2
11	26060215	Площадка клапанная 115	2
12	26060145	Клапан впускной 115	2
13	26060278	Успокоитель клапана впускного 115	2
14	26060298	Шайба пружинная 4мм	4
15	26060116	Винт М4х12	4
16	26060246	Прокладка площадки клапанной 115	2
17	26060283	Цилиндр с оребренным корпусом 115/125	2
19	26060253	Прокладка цилиндра Ø 125	3
20	26060119	Винт М8х20	6
21	26060300	Шайба пружинная 8мм	6
22	26060197	Крышка подшипника заднего 309	1
23	26060241	Прокладка крышки подшипника заднего 309	1
24	26060231	Пробка масляная М19х2,0 (пластик)	1
25	26060230	Пробка масляная М16х1,5 (сталь)	1
26	26060304	Шайба уплотнительная пробки масляной 16мм (сталь-резина)	1
27	26060118	Винт М5х14	4
28	26060265	Стекло указателя уровня масла	1
29	26060277	Указатель уровня масла	1
30	26060251	Прокладка указателя уровня масла	1
31	26060172	Кольцо уплотнительное пробки масляной ф18мм (резина)	1
32	26060222	Подшипник 309	2
33	26060100	Вал коленчатый 115-3/50,0	1
34	26060099	Болт крышки шатуна М12х85	6
35	26060308	Шатун 50,0х25 с крышкой	3

36	26060258	Разбрызгиватель масла M8x75	1
37	26060123	Вкладыши шатунные комплект Ø 50,0	3
38	26060125	Гайка корончатая M12 высокая	6
39	26060310	Шплинт 3x45	6
40	26060133	Гильза шатуна Ø 25 L=32 (латунь)	3
41	26060312	Шпонка 12x45мм	1
42	26060244	Прокладка крышки подшипника переднего 309	1
43	26060200	Крышка подшипника переднего 309	1
44	26060305	Шар Ø 10мм (сталь)	1
45	26060203	Манжета воротниковая 45x70x12	1
46	26060206	Маховик 3-480x44x12	1
47	26060303	Шайба увеличенная 16,2мм	1
48	26060296	Шайба пружинная 16мм	1
49	26060114	Винт M16x40	1
50	26060229	Пробка M33x1,5	3
51	26060232	Прокладка (алюминий)	6
52	26060208	Охладитель промежуточный L=1200мм	2
53	26060233	Прокладка (паронит)	12
54	26060162	Коллектор	1
55	26060155	Клапан предохранительный 4 КгС 1/2"	1
56	26060263	Соединитель L=135 M33x1,5	1
57	26060262	Соединитель L=120 M33x1,5	1
58	26060264	Соединитель L=80 M33x1,5	1
59	26060169	Кольцо стопорное Ø 25	6
60	26060214	Палец поршневой L=80 Ø 25	1
61	26060227	Поршень 90x25	1
64	26060223	Поршень 115x25	2
67	26060210	Палец поршневой L=100 Ø 25	2
68	26060129	Гайка накидная M10x1	1
69	26060160	Колено M10x1 L=15	1
70	26060276	Трубка Ø 6 L=500 (медь)	1
71	26060130	Гайка накидная M12x1,25	1
72	26060207	Ниппель M16x1,5 / M12x1,25	1
73	26060287	Цилиндр с оребренным корпусом 90/125	1
74	26060138	Головка цилиндра 90 под клапан комбинированный	1
75	26060106	Винт головки цилиндра M12x75	2
76	26060132	Гайка низкая M33x1,5	1

77	26060161	Колено М33х1,5 ПП L=45	1
78	26060255	Проставка клапана комбинированного 90 (алюминий)	1
79	26060124	Гайка корончатая М10	1
80	26060294	Шайба пружинная 10мм	1
81	26060260	Седло верхнее клапана комбинированного 90	1
82	26060256	Пружина клапанная Ø 7, L=13	6
83	26060157	Клапаны в комплекте (для клапана комбинированного 90)	1
84	26060261	Седло нижнее клапана комбинированного 90	1
85	26060109	Винт М10 клапана комбинированного 90	1
86	26060245	Прокладка нижняя клапана комбинированного 90 (алюминий)	1
87	26060140	Картер 115-3	1
88	26060112	Винт М12х30	6
89	26060126	Гайка М12	12
90	26060135	Головка цилиндра 115 с каналом сброса давления	1
93	26060163	Кольца поршневые Ø 115 комплект	2
94	26060166	Кольца поршневые Ø 90 комплект	1
99	26060234	Прокладка верхняя клапана комбинированного 90 (медь)	1
100	26060257	Пружина Ø 11 L=37	1
101	26060291	Шайба плоская 12мм (сталь)	12
102	26060309	Шпилька М12х30	12
103	26060318	Корпус фильтра Ø 150	2
104	26060319	Фильтрующий элемент для корпуса Ø 150	2
105	26060320	Фильтр Ø 150 в сборе	2



10. Гарантийные обязательства

Предприятие-изготовитель гарантирует соответствие установки показателям, указанным в настоящем руководстве, при условии соблюдения потребителем правил эксплуатации, хранения и транспортирования.

Срок службы компрессора - 5 лет.

Гарантийный срок эксплуатации 12 месяцев со дня продажи установки, с отметкой в руководстве, но не более 18 месяцев со дня выпуска.

Гарантийные обязательства не распространяются на сменные запасные части, замена которых в период гарантии предусмотрена регламентом проведения технического обслуживания.

При покупке установки требуйте аккуратного и точного заполнения граф гарантийного талона: дата продажи; реквизиты Продавца; печать (штамп) торгующей организации.

Покупатель теряет право на гарантийное обслуживание в случаях: незаполненного полностью гарантийного талона; наличия механических и других повреждений вследствие нарушения требований условий эксплуатации, правил транспортирования и хранения.

По вопросам гарантийного обслуживания, приобретения сменных и запасных частей обращайтесь к дилеру предприятия-изготовителя (Продавцу). Необходимо предоставить следующую информацию: ксерокопия Свидетельства о приемке; общее время наработки; внешнее проявление неисправности и условия аварийного отключения; вероятная причина; перечень требуемых запчастей.