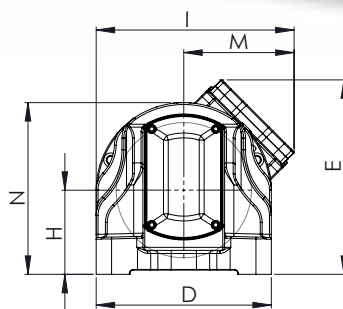
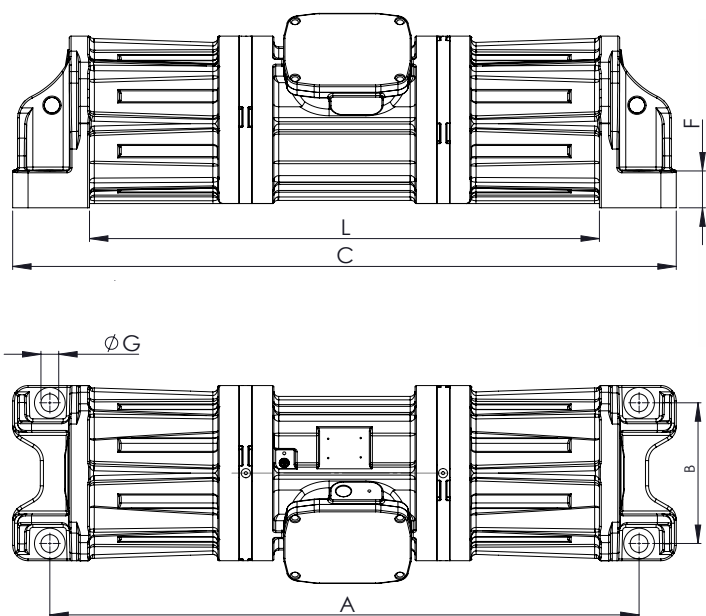




SV - Long Vibrator - 50Hz / 60Hz



Wm (kgcm)		Model										ELECTRICAL SPECIFICATIONS								
												Input Power (kW)		Nominal Current A max. (Y)		Ia / In (Ampere)		Cable Gland		
50Hz	60Hz	50Hz		60Hz		Poles		Centrifugal Force (kg)		rpm		Weight (kg)		50Hz	60Hz	50Hz	60Hz	50Hz	60Hz	Metric
278.6	193.4	MVE 3502/15D-SV-75A	MVE 3502/18D-SV-75A	4	3,500	3,502	1,500	1,800	180	170	2.2	2.6	4.3	4.33	6.5	3/4" NPT 110°C				
278.6	193.4	MVE 3502/15D-SV-75D	MVE 3502/18D-SV-75D	4	3,500	3,502	1,500	1,800	180	170	2.2	2.6	4.3	4.33	6.5	3/4" NPT 110°C				

Model		DIMENSIONAL SPECIFICATIONS (mm)														
		Fig.	C	M	A	B	ØG	Holes	D	E	F	H	I	L	N	Screw
MVE 3502/15D-SV-75A	MVE 3502/18D-SV-75A	A	1,080	179.5	959	229	29	4	285	316.5	60	137	322	830	279.5	M27
MVE 3502/15D-SV-75D	MVE 3502/18D-SV-75D	A	1,080	179.5	959	241.3	20	4	285	316.5	60	137	322	830	279.5	M18

SV - LONG VIBRATOR

APPLICATION	Vibrating screens, feeders/conveyors and dewatering screens for quarry, mining, recycling and other sectors
PROBLEM SOLVING	Acts as a structural member of the machine: it eliminates the crossbeam usually needed to support standard vibrating motors. The centrifugal force acts directly on the screen walls, reducing fatigue stress on the entire structure.
FEATURES	
INPUT VOLTAGE	220-240 / 380-415 V, 290-300 / 500-525 V, 330 / 575 V, 220-277 / 380-480 V, 230 / 460 V
AMBIENT TEMPERATURE	-20°C/40°C as standard, -20/55°C on request
IP	66
THERMAL PROTECTION	Thermistor PTC 130°C
INSULATION CLASS	F
OPTIONS	Greased for life 2 and 6 poles available on request

This information is furnished without warranty, representation, inducement or license of any kind. It is accurate to the best OLI knowledge or is obtained from sources believed to be accurate. OLI therefore assumes no legal responsibility.